

ON Semiconductor

Is Now

onsemi™

To learn more about onsemi™, please visit our website at
www.onsemi.com

onsemi and **onsemi** and other names, marks, and brands are registered and/or common law trademarks of Semiconductor Components Industries, LLC dba "**onsemi**" or its affiliates and/or subsidiaries in the United States and/or other countries. **onsemi** owns the rights to a number of patents, trademarks, copyrights, trade secrets, and other intellectual property. A listing of **onsemi** product/patent coverage may be accessed at www.onsemi.com/site/pdf/Patent-Marking.pdf. **onsemi** reserves the right to make changes at any time to any products or information herein, without notice. The information herein is provided "as-is" and **onsemi** makes no warranty, representation or guarantee regarding the accuracy of the information, product features, availability, functionality, or suitability of its products for any particular purpose, nor does **onsemi** assume any liability arising out of the application or use of any product or circuit, and specifically disclaims any and all liability, including without limitation special, consequential or incidental damages. Buyer is responsible for its products and applications using **onsemi** products, including compliance with all laws, regulations and safety requirements or standards, regardless of any support or applications information provided by **onsemi**. "Typical" parameters which may be provided in **onsemi** data sheets and/or specifications can and do vary in different applications and actual performance may vary over time. All operating parameters, including "Typicals" must be validated for each customer application by customer's technical experts. **onsemi** does not convey any license under any of its intellectual property rights nor the rights of others. **onsemi** products are not designed, intended, or authorized for use as a critical component in life support systems or any FDA Class 3 medical devices or medical devices with a same or similar classification in a foreign jurisdiction or any devices intended for implantation in the human body. Should Buyer purchase or use **onsemi** products for any such unintended or unauthorized application, Buyer shall indemnify and hold **onsemi** and its officers, employees, subsidiaries, affiliates, and distributors harmless against all claims, costs, damages, and expenses, and reasonable attorney fees arising out of, directly or indirectly, any claim of personal injury or death associated with such unintended or unauthorized use, even if such claim alleges that **onsemi** was negligent regarding the design or manufacture of the part. **onsemi** is an Equal Opportunity/Affirmative Action Employer. This literature is subject to all applicable copyright laws and is not for resale in any manner. Other names and brands may be claimed as the property of others.



Is Now Part of



ON Semiconductor®

To learn more about ON Semiconductor, please visit our website at

www.onsemi.com

ON Semiconductor and the ON Semiconductor logo are trademarks of Semiconductor Components Industries, LLC dba ON Semiconductor or its subsidiaries in the United States and/or other countries. ON Semiconductor owns the rights to a number of patents, trademarks, copyrights, trade secrets, and other intellectual property. A listing of ON Semiconductor's product/patent coverage may be accessed at www.onsemi.com/site/pdf/Patent-Marking.pdf. ON Semiconductor reserves the right to make changes without further notice to any products herein. ON Semiconductor makes no warranty, representation or guarantee regarding the suitability of its products for any particular purpose, nor does ON Semiconductor assume any liability arising out of the application or use of any product or circuit, and specifically disclaims any and all liability, including without limitation special, consequential or incidental damages. Buyer is responsible for its products and applications using ON Semiconductor products, including compliance with all laws, regulations and safety requirements or standards, regardless of any support or applications information provided by ON Semiconductor. "Typical" parameters which may be provided in ON Semiconductor data sheets and/or specifications can and do vary in different applications and actual performance may vary over time. All operating parameters, including "Typicals" must be validated for each customer application by customer's technical experts. ON Semiconductor does not convey any license under its patent rights nor the rights of others. ON Semiconductor products are not designed, intended, or authorized for use as a critical component in life support systems or any FDA Class 3 medical devices or medical devices with a same or similar classification in a foreign jurisdiction or any devices intended for implantation in the human body. Should Buyer purchase or use ON Semiconductor products for any such unintended or unauthorized application, Buyer shall indemnify and hold ON Semiconductor and its officers, employees, subsidiaries, affiliates, and distributors harmless against all claims, costs, damages, and expenses, and reasonable attorney fees arising out of, directly or indirectly, any claim of personal injury or death associated with such unintended or unauthorized use, even if such claim alleges that ON Semiconductor was negligent regarding the design or manufacture of the part. ON Semiconductor is an Equal Opportunity/Affirmative Action Employer. This literature is subject to all applicable copyright laws and is not for resale in any manner.

AN-6607

The Noise Figure Fallacy

Noise Figure (NF) can be one of the most misleading specifications confronting the engineer today. Noise Figure is defined as the ratio of total output noise power to the output noise power of the source.

$$NF = 10 \text{ Log} \frac{\text{Total output noise power}}{\text{Output noise power of the source}} \quad (1)$$

A minimum NF exists for any amplifier, but is usually far removed from the actual operating conditions. This is where the problem begins. Lowering the NF doesn't always lower the noise which is what the engineer is really interested in. NF only gives the designer insight into the ratio of the amplifier noise to the source noise, not the input noise of the amplifier or the signal to noise ratio.

Amplifier noise performance is adequately described by modeling the noise sources as a series voltage generator and a shunt current generator with a series voltage generator for the source resistance noise.

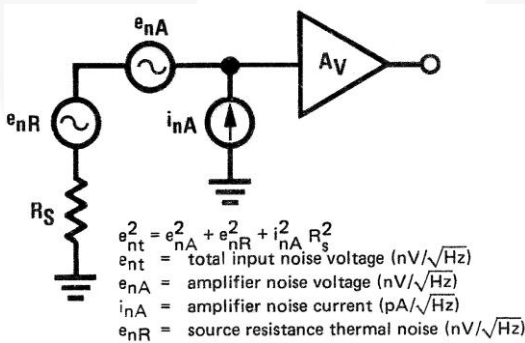


Figure 1. Simplified Amplifier Noise Model

The amplifier noise data is found on vendor data sheets in the form of e_n and i_n vs. frequency for bipolar transistors and e_n vs. frequency for FETs and FET amplifiers.

Current noise depends on amplifier input bias current which is only a few pico-amps for FETs and is therefore negligible. However, bipolar transistor amplifiers have bias currents into the micro-amp range where current noise is significant.

The thermal noise of the source resistance is given by Nyquist's relation.



$$\overline{V_R^2} = 4kTR\Delta f \quad (2)$$

$\overline{V_R^2}$ = mean square noise voltage (V^2)
 k = Boltzmann constant (1.38×10^{-23} VAS/ $^\circ\text{K}$)
 T = absolute temperature ($^\circ\text{K}$)
 R = resistance (Ω)
 Δf = noise bandwidth (Hz)

With the spectral density given by e_n^2 :

$$e_{nR} = (\overline{V_R^2}/\Delta f)^{1/2} \quad (3)$$

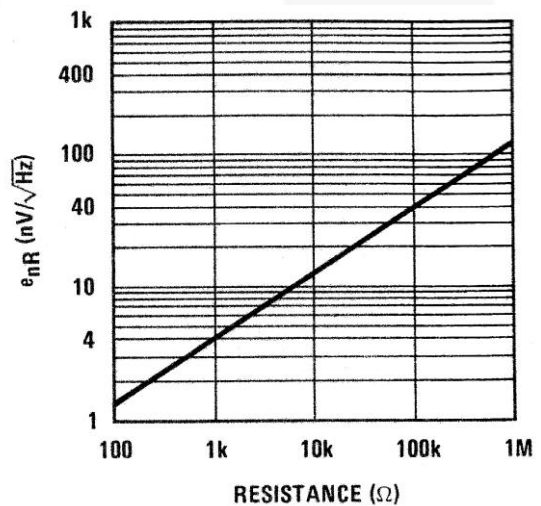


Figure 2. Thermal Noise vs. Resistance

Using the model of Figure 1, an expression of noise figure in terms of the noise generators can be developed.

The noise power of the source can be found by using Nyquist's relation.

$$\text{Source Noise Power} = \frac{\overline{V_R^2}}{R^2} = \frac{e_{nR}^2 \Delta f}{R^2} \quad (2)$$

With the total output noise power at the input of the amplifier of:

$$\text{Total noise power} = \frac{e_{nR}^2 \Delta f}{R^2} + \frac{e_{nA}^2 \Delta f}{R^2} + i_{nA}^2 R^2 \Delta f \quad (3)$$

Yielding

$$\text{NF} = 10 \text{ Log} \left[1 + \frac{e_{nA}^2 + i_{nR}^2 R^2}{e_{nR}^2} \right] \quad (4)$$

Noise Figure has a minimum that occurs at an optimum source resistance R_{opt} .

$$R_{opt} = \frac{e_{nA}}{i_{nA}} \quad (5)$$

Artificially changing the source resistance for minimum NF generally increases the circuit noise as demonstrated by the following example.

Example:

An amplifier is needed to boost the signal from a resistive transducer.

Amplifier requirements

$A_v = 100$
 $f = 10 \text{ Hz to } 10 \text{ kHz}$
 Transducer = $10 \text{ k}\Omega$

Amplifier—LF356

Noise data, $e_n = 12 \text{ nV}/\sqrt{\text{Hz}} @ 1 \text{ kHz}$
 $i_n = 0.01 \text{ pA}/\sqrt{\text{Hz}} @ 1 \text{ kHz}$

The optimum source resistance for the amplifier is found to be 12M (using equation (5)). Using Figure 2, the noise of the transducer is $12 \text{ nV}/\sqrt{\text{Hz}}$ and the noise of the optimum source resistance is $140 \text{ nV}/\sqrt{\text{Hz}}$.

Using the non-inverting amplifier configuration, we'll view the effect of R_{opt} . In one case, resistance is added to the source to equal the amplifier optimum source resistance (not affecting gain). The other case only has the transducer connected to the input.

We will neglect the noise of the feedback resistors and determine the input noise and NF for both configurations using equations (1)—(4).

Case A, minimum NF

Total input noise
 $V_n = e_{nt} (\Delta f)^{1/2} = 14 \mu\text{V}$
 $\text{NF} = 0.06 \text{ dB}$

Case B, minimum noise

$V_n = 1.7 \mu\text{V}$
 $\text{NF} = 3 \text{ dB}$

Noise figure is only a measurement of the amplifier noise relative to the source noise. The example used was radical, but it illustrated a very important point. Resistance should never be added in series with the source to improve the NF. The NF improves but the input noise suffers, degrading performance. Total input noise should always be considered allowing problem sources to be identified and minimized to meet the system's specific noise requirements. Figure 3 and Figure 4 provide examples of minimum noise figure and minimum noise amplifiers.

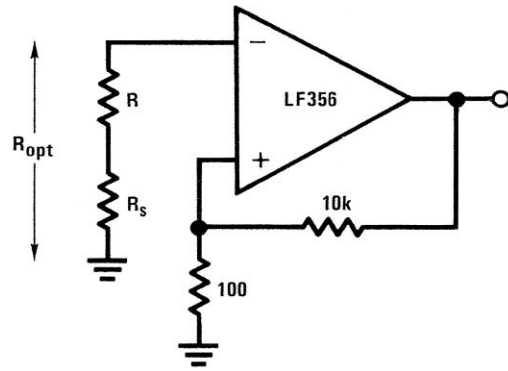


Figure 3. Minimum Noise Figure Amplifier

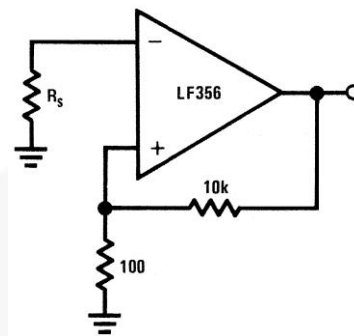


Figure 4. Minimum Noise Amplifier

Author: John Maxwell, February 1977.

DISCLAIMER

FAIRCHILD SEMICONDUCTOR RESERVES THE RIGHT TO MAKE CHANGES WITHOUT FURTHER NOTICE TO ANY PRODUCTS HEREIN TO IMPROVE RELIABILITY, FUNCTION, OR DESIGN. FAIRCHILD DOES NOT ASSUME ANY LIABILITY ARISING OUT OF THE APPLICATION OR USE OF ANY PRODUCT OR CIRCUIT DESCRIBED HEREIN; NEITHER DOES IT CONVEY ANY LICENSE UNDER ITS PATENT RIGHTS, NOR THE RIGHTS OF OTHERS.

LIFE SUPPORT POLICY

FAIRCHILD'S PRODUCTS ARE NOT AUTHORIZED FOR USE AS CRITICAL COMPONENTS IN LIFE SUPPORT DEVICES OR SYSTEMS WITHOUT THE EXPRESS WRITTEN APPROVAL OF THE PRESIDENT OF FAIRCHILD SEMICONDUCTOR CORPORATION.

As used herein:

1. Life support devices or systems are devices or systems which, (a) are intended for surgical implant into the body, or (b) support or sustain life, or (c) whose failure to perform when properly used in accordance with instructions for use provided in the labeling, can be reasonably expected to result in significant injury to the user.
- 2.
3. A critical component is any component of a life support device or system whose failure to perform can be reasonably expected to cause the failure of the life support device or system, or to affect its safety or effectiveness.

ON Semiconductor and  are trademarks of Semiconductor Components Industries, LLC dba ON Semiconductor or its subsidiaries in the United States and/or other countries. ON Semiconductor owns the rights to a number of patents, trademarks, copyrights, trade secrets, and other intellectual property. A listing of ON Semiconductor's product/patent coverage may be accessed at www.onsemi.com/site/pdf/Patent-Marking.pdf. ON Semiconductor reserves the right to make changes without further notice to any products herein. ON Semiconductor makes no warranty, representation or guarantee regarding the suitability of its products for any particular purpose, nor does ON Semiconductor assume any liability arising out of the application or use of any product or circuit, and specifically disclaims any and all liability, including without limitation special, consequential or incidental damages. Buyer is responsible for its products and applications using ON Semiconductor products, including compliance with all laws, regulations and safety requirements or standards, regardless of any support or applications information provided by ON Semiconductor. "Typical" parameters which may be provided in ON Semiconductor data sheets and/or specifications can and do vary in different applications and actual performance may vary over time. All operating parameters, including "Typicals" must be validated for each customer application by customer's technical experts. ON Semiconductor does not convey any license under its patent rights nor the rights of others. ON Semiconductor products are not designed, intended, or authorized for use as a critical component in life support systems or any FDA Class 3 medical devices or medical devices with a same or similar classification in a foreign jurisdiction or any devices intended for implantation in the human body. Should Buyer purchase or use ON Semiconductor products for any such unintended or unauthorized application, Buyer shall indemnify and hold ON Semiconductor and its officers, employees, subsidiaries, affiliates, and distributors harmless against all claims, costs, damages, and expenses, and reasonable attorney fees arising out of, directly or indirectly, any claim of personal injury or death associated with such unintended or unauthorized use, even if such claim alleges that ON Semiconductor was negligent regarding the design or manufacture of the part. ON Semiconductor is an Equal Opportunity/Affirmative Action Employer. This literature is subject to all applicable copyright laws and is not for resale in any manner.

PUBLICATION ORDERING INFORMATION

LITERATURE FULFILLMENT:

Literature Distribution Center for ON Semiconductor
19521 E. 32nd Pkwy, Aurora, Colorado 80011 USA
Phone: 303-675-2175 or 800-344-3860 Toll Free USA/Canada
Fax: 303-675-2176 or 800-344-3867 Toll Free USA/Canada
Email: orderlit@onsemi.com

N. American Technical Support: 800-282-9855 Toll Free
USA/Canada
Europe, Middle East and Africa Technical Support:
Phone: 421 33 790 2910
Japan Customer Focus Center
Phone: 81-3-5817-1050

ON Semiconductor Website: www.onsemi.com
Order Literature: <http://www.onsemi.com/orderlit>
For additional information, please contact your local
Sales Representative