

**Real Time Clock Serial Clock/Calendar/Alarm/Battery Backup/Interrupt 8-Pin TSSOP T/R**

<b>Manufacturer:</b>	ABLIC Inc
<b>Package/Case:</b>	TSSOP-8
<b>Product Type:</b>	Clock & Timer ICs
<b>RoHS:</b>	RoHS Compliant/Lead free
<b>Lifecycle:</b>	Active

**8-Pin TSSOP**



**Figure 3 S-35390A-T8T1x**

Images are for reference only

[Inquiry](#)

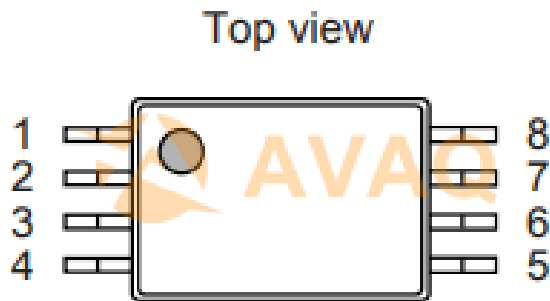
**General Description**

Avaq Semiconductor offers the highly versatile and reliable S-35390A-T8T1U driver, produced by ABLIC Inc. With its multifunctional and high-performance capabilities, this component is an excellent choice for a wide range of electronic projects.

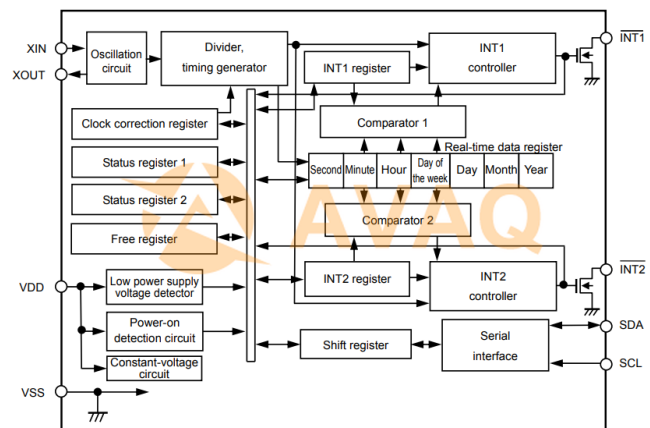
To ensure that you have all the necessary information to make the most of this component, Avaq provides a free datasheet PDF, as well as circuit diagrams, pin layouts, pin details, pin voltage ratings, and equivalent components for the S-35390A-T8T1U.

Avaq also offers free samples. Simply fill out and submit the sample request form to receive your free samples for testing. If you have any questions, please feel free to contact us at ar

## 8-Pin TSSOP



**Figure 3 S-35390A-T8T1x**



**Recommended For You**

**S-35390A-I8T1U**

ABLIC Inc  
SNT-8A

**S-35390A-T8T1G**

ABLIC Inc  
TSSOP8

**S-35190A-T8T1G**

ABLIC Inc  
TSSOP8

**S-35390A-J8T1U**

ABLIC Inc

SOP-8

**S-35390A-T8T1**

ABLIC Inc

TSSOP8

**S-35710B01A-K8T2U**

ABLIC Inc

BGA

**S-35730C01A-K8T2U**

ABLIC Inc

BGA

**S-35720C01A-K8T2U**

ABLIC Inc

8-WSSOP8-MSOP0.1102.

**S-35390A-J8T1G**

ABLIC Inc

SOP8

**S-35770E01A-K8T2U**

ABLIC Inc

BGA

**S-35710M01A-E8T3U**

ABLIC Inc

8-HSOPA

**S-35190A-J8T1U**

ABLIC Inc

SOP-8