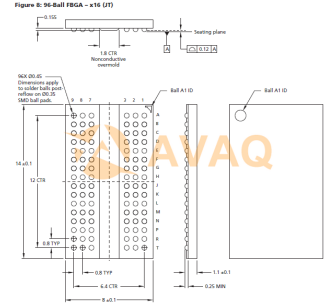


DRAM Chip DDR3L SDRAM 2Gbit 128Mx16 1.35V Automotive 96-Pin FBGA

Manufacturer:	Micron Semiconductor Products Inc
Package/Case:	FBGA
Product Type:	Memory
RoHS:	RoHS Compliant/Lead free
Lifecycle:	Active



Images are for reference only

Inquiry

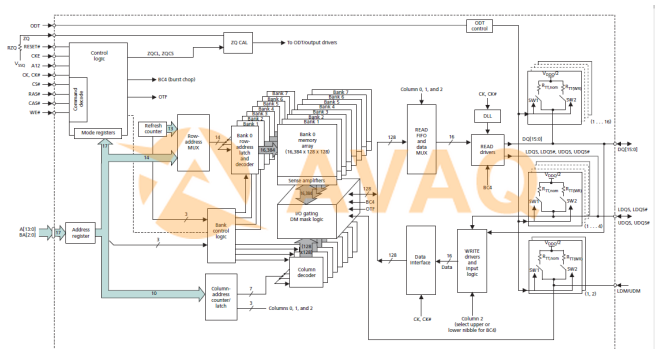
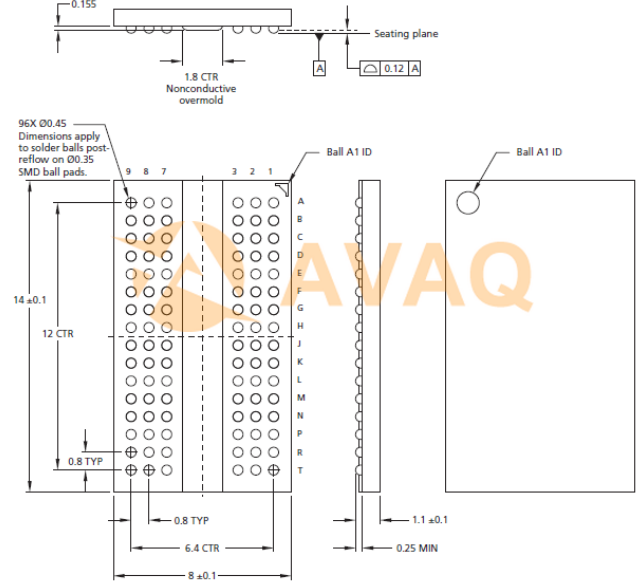
General Description

Avaq Semiconductor offers the highly versatile and reliable MT41K128M16JT-125 AIT:K driver, produced by Micron Semiconductor Products Inc. With its multifunctional and high-performance capabilities, this component is an excellent choice for a wide range of electronic projects.

To ensure that you have all the necessary information to make the most of this component, Avaq provides a free datasheet PDF, as well as circuit diagrams, pin layouts, pin details, pin voltage ratings, and equivalent components for the MT41K128M16JT-125 AIT:K.

Avaq also offers free samples. Simply fill out and submit the sample request form to receive your free samples for testing. If you have any questions, please feel free to contact us at ar

Figure 8: 96-Ball FBGA - x16 (JT)



Recommended For You

MIFC16GAPALBH-IT

Micron Semiconductor Products Inc
BGA

MI25QU128ABA1EW9-0SIT

Micron Semiconductor Products Inc
WPDFN8

MI41K128MI6JT-125 XIT:K

Micron Semiconductor Products Inc
FBGA

MI29F1G08ABAEAWP:E

Micron Semiconductor Products Inc
TSOP48

MI47H128M8SH-25E:M

Micron Semiconductor Products Inc
FBGA

MI29F32G08ABAAAWP-ITZ:A

Micron Semiconductor Products Inc
TSOP48

MI47H64MI6NF-25E:M

Micron Semiconductor Products Inc
BGA

MI41K64MI6TW-107:J

Micron Semiconductor Products Inc
BGA

MI41K256MI6TW-107 AIT:P

Micron Semiconductor Products Inc
FBGA96

MI41K128MI6JT-125:K

Micron Semiconductor Products Inc
FBGA

MI47H128MI6RT-25E:C

Micron Semiconductor Products Inc
FBGA

MI48LC16MI6A2P-6A:G

Micron Semiconductor Products Inc
TSOP54

MI29F4G08ABADAWP-IT:D

Micron Semiconductor Products Inc
TSOP48

MI47H128MI6RT-25E IT:C

Micron Semiconductor Products Inc
FBGA

MI25QU01GBBB8ESF-0SIT

Micron Semiconductor Products Inc
SOP16