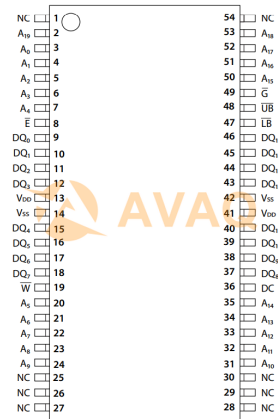


MRAM 16Mbit Parallel Interface 3.3V 54-Pin TSOP Tray

Manufacturer:	Everspin Technologies
Package/Case:	TSOP54
Product Type:	Memory
RoHS:	RoHS Compliant/Lead free
Lifecycle:	Active



Images are for reference only

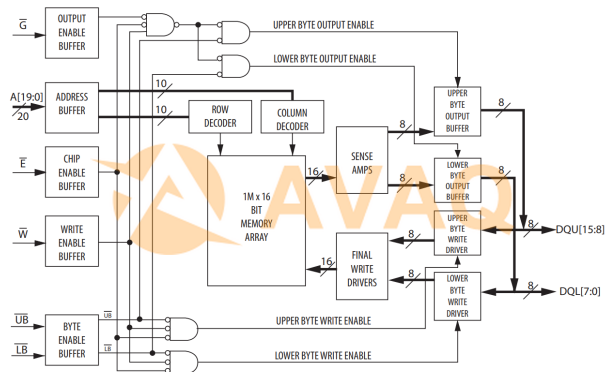
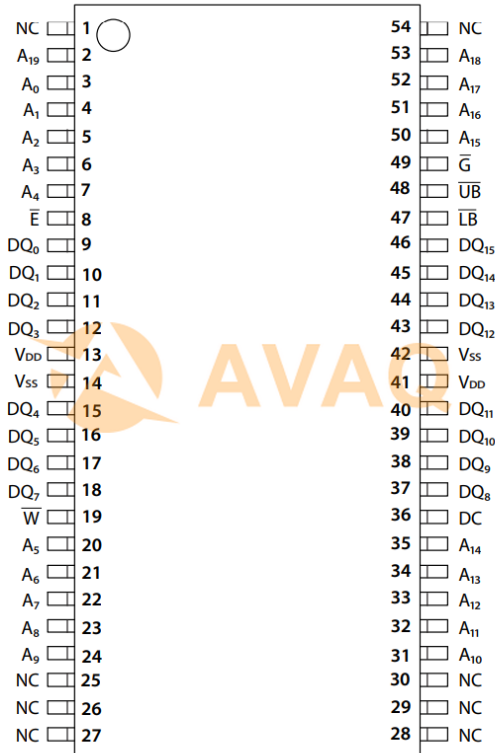
Inquiry

General Description

Avaq Semiconductor offers the highly versatile and reliable MR4A16BCYS35 driver, produced by Everspin Technologies. With its multifunctional and high-performance capabilities, this component is an excellent choice for a wide range of electronic projects.

To ensure that you have all the necessary information to make the most of this component, Avaq provides a free datasheet PDF, as well as circuit diagrams, pin layouts, pin details, pin voltage ratings, and equivalent components for the MR4A16BCYS35.

Avaq also offers free samples. Simply fill out and submit the sample request form to receive your free samples for testing. If you have any questions, please feel free to contact us at ar



Recommended For You

MR0A08BYS35

Everspin Technologies
TSOP44

MR0A16ACYS35

Everspin Technologies
TSOP44

MR25H256CDC

Everspin Technologies
QFN16

MR4A16BUYS45

Everspin Technologies
TSOP2-54

MR2A16AYS35

Everspin Technologies
TSOP

MR25H256ACDF

Everspin Technologies
DFN8

MR4A16BCMA35

Everspin Technologies
FBGA48

MR4A08BUYS45

Everspin Technologies
FBGA

MR5A16ACYS35

Everspin Technologies
TSOP2-54

MR2A16AMYS35

Everspin Technologies
FBGA

MR25H256AMDF

Everspin Technologies
QFN8

MR2A08AMYS35

Everspin Technologies
TSOP-44

MR0A08BCYS35

Everspin Technologies
TSOP-44

MR20H40CDF

Everspin Technologies
DFN8

MR2A16AVMA35

Everspin Technologies
FBGA