
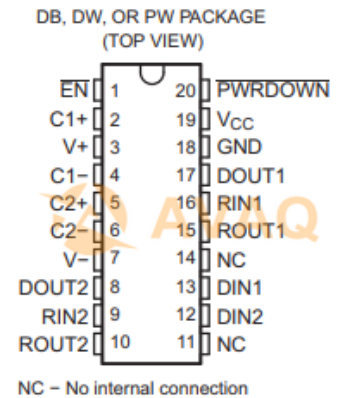


Dual Transmitter/Receiver RS-232 20-Pin SOIC Tube

Manufacturer:	Texas Instruments, Inc
Package/Case:	SOP20
Product Type:	Drivers
RoHS:	RoHS Compliant/Lead free 
Lifecycle:	Active



Images are for reference only

[Inquiry](#)

General Description

The MAX3222E consists of two line drivers, two line receivers, and a dual charge-pump circuit with ± 15 -kV ESD protection pin to pin (serial-port connection pins, including GND).

The device meets the requirements of TIA/EIA-232-F and provides the electrical interface between an asynchronous communication controller and the serial-port connector. The charge pump and four small external capacitors allow operation from a single 3-V to 5.5-V supply. The device operates at typical data signaling rates up to 500 kbit/s and a maximum of 30-V/ μ s driver output slew rate.

The MAX3222E can be placed in the power-down mode by setting the power-down (PWRDOWN) input low, which draws only 1 μ A from the power supply. When the device is powered down, the receivers remain active while the drivers are placed in the high-impedance state. Also, during power down, the onboard charge pump is disabled; V+ is lowered to VCC, and V- is raised toward GND. Receiver outputs also can be placed in the high-impedance state by setting enable (EN) high.

Key Features

ESD Protection for RS-232 Bus Pins

Meets or Exceeds the Requirements of

TIA/EIA-232-F and ITU v.28 Standards

Operates With 3-V to 5.5-V VCC Supply

Operates up to 500 kbit/s

Two Drivers and Two Receivers

Low Standby Current . . . 1 μ A Typ

External Capacitors . . . $4 \times 0.1 \mu$ F

Accepts 5-V Logic Input With 3.3-V Supply

Alternative High-Speed Pin-Compatible Device (1 Mbit/s) for SNx5C3222E

APPLICATIONS

Battery-Powered Systems

PDA's

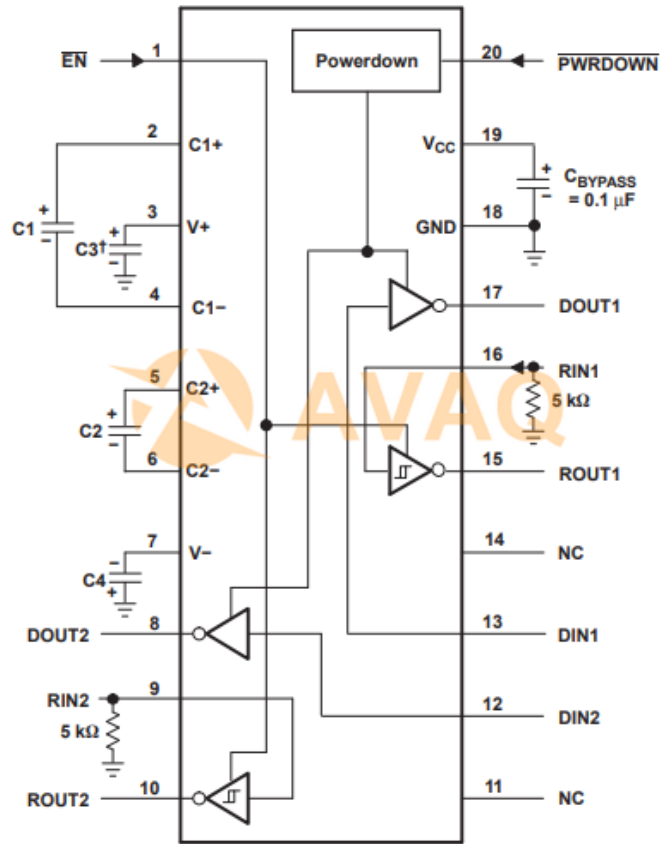
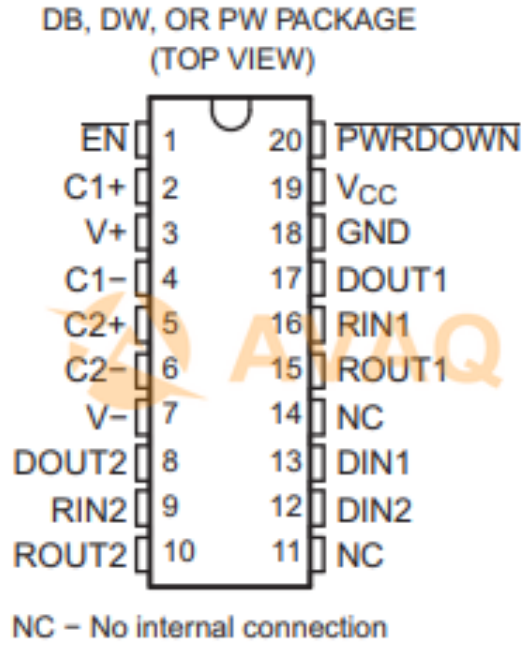
Notebooks

Laptops

Palmtop PCs

Hand-Held Equipment

APPLICATION INFORMATION



Recommended For You

MAX3223MDBREP

Texas Instruments, Inc
SSOP20

MAX3232EIPWRQ1

Texas Instruments, Inc
TSSOP16

MAX232N

Texas Instruments, Inc
DIP-16

MAX3221ECDBR

Texas Instruments, Inc
SSOP16

MAX3222ECPWR

Texas Instruments, Inc
TSSOP20

MAX3222IPWR

Texas Instruments, Inc
TSSOP20

MAX3223IDW

Texas Instruments, Inc
SOP20

MAX3243IPW

Texas Instruments, Inc
TSSOP

MAX3221MDBREP

Texas Instruments, Inc
SSOP-16

MAX208CDB

Texas Instruments, Inc
SSOP

MAX232ECN

Texas Instruments, Inc
DIP-16

MAX232IDW

Texas Instruments, Inc
SOP16

MAX3232MDBREP

Texas Instruments, Inc

SSOP16

DS90LV028AQMA/NOPB

Texas Instruments, Inc

SOP-8

MAX232EID

Texas Instruments, Inc

SOP16