
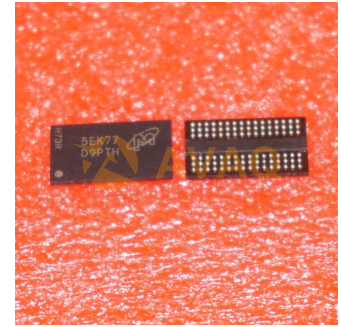


**DRAM Chip DDR3L SDRAM 2Gbit 128Mx16 1.35V Automotive 96-Pin FBGA**

<b>Manufacturer:</b>	<a href="#">Micron Semiconductor Products Inc</a>
<b>Package/Case:</b>	FBGA
<b>Product Type:</b>	Memory
<b>RoHS:</b>	RoHS Compliant/Lead free 
<b>Lifecycle:</b>	Active



Images are for reference only

[Inquiry](#)

### General Description

Avaq Semiconductor offers the highly versatile and reliable MT41K128M16JT-125 AAT:K driver, produced by Micron Semiconductor Products Inc. With its multifunctional and high-performance capabilities, this component is an excellent choice for a wide range of electronic projects.

To ensure that you have all the necessary information to make the most of this component, Avaq provides a free datasheet PDF, as well as circuit diagrams, pin layouts, pin details, pin voltage ratings, and equivalent components for the MT41K128M16JT-125 AAT:K.

Avaq also offers free samples. Simply fill out and submit the sample request form to receive your free samples for testing. If you have any questions, please feel free to contact us at ar

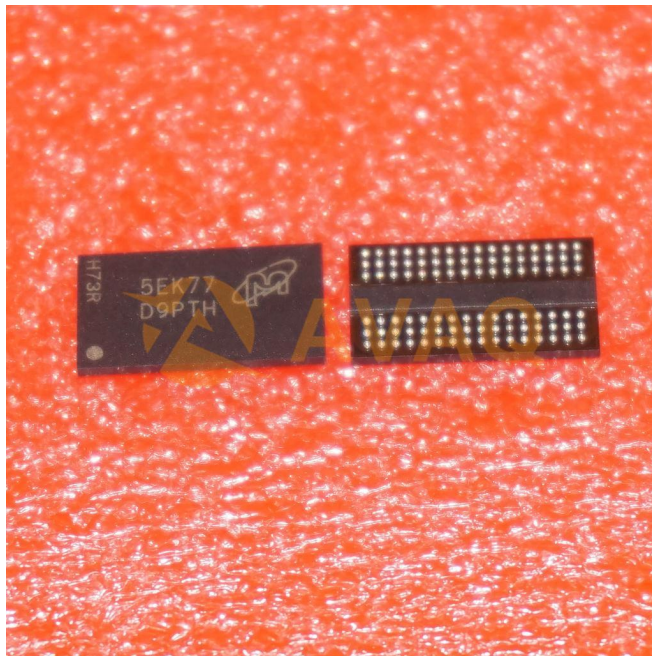
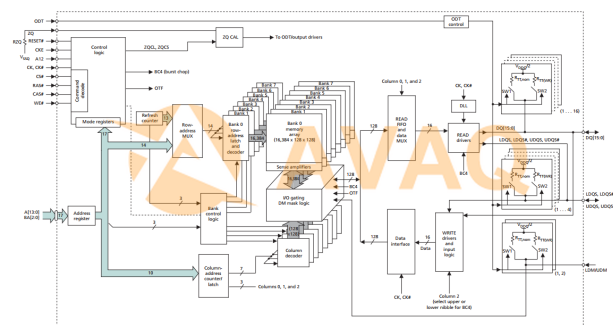


Figure 4: 128 Meg x 16 Functional Block Diagram



### Recommended For You

**M1FC16GAPALBH-IT**

Micron Semiconductor Products Inc  
BGA

**M125QU128ABA1EW9-0S1T**

Micron Semiconductor Products Inc  
WPDFN8

**M141K128M16JT-125 XIT:K**

Micron Semiconductor Products Inc  
FBGA

**MI29F1G08ABAEAWP:E**

Micron Semiconductor Products Inc  
TSOP48

**MI47H128M8SH-25E:M**

Micron Semiconductor Products Inc  
FBGA

**MI29F32G08ABAAAWP-ITZ:A**

Micron Semiconductor Products Inc  
TSOP48

**MI47H64MI6NF-25E:M**

Micron Semiconductor Products Inc  
BGA

**MI41K64MI6TW-107:J**

Micron Semiconductor Products Inc  
BGA

**MI41K256MI6TW-107 AIT:P**

Micron Semiconductor Products Inc  
FBGA96

**MI41K128MI6JT-125:K**

Micron Semiconductor Products Inc  
FBGA

**MI47H128MI6RT-25E:C**

Micron Semiconductor Products Inc  
FBGA

**MI48LC16MI6A2P-6A:G**

Micron Semiconductor Products Inc  
TSOP54

**MI29F4G08ABADAWP-IT:D**

Micron Semiconductor Products Inc  
TSOP48

**MI47H128MI6RT-25E IT:C**

Micron Semiconductor Products Inc  
FBGA

**MI25QU01GBBB8ESF-0SIT**

Micron Semiconductor Products Inc  
SOP16