

I/O Controller 100-Pin STQFN

Manufacturer:	Microchip Technology, Inc
Package/Case:	QFP
Product Type:	Discrete Semiconductor Modules
RoHS:	RoHS Compliant/Lead free
Lifecycle:	Obsolete



Images are for reference only

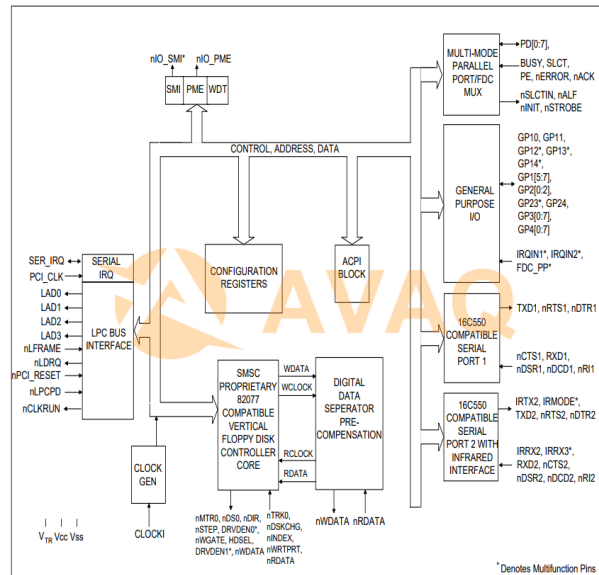
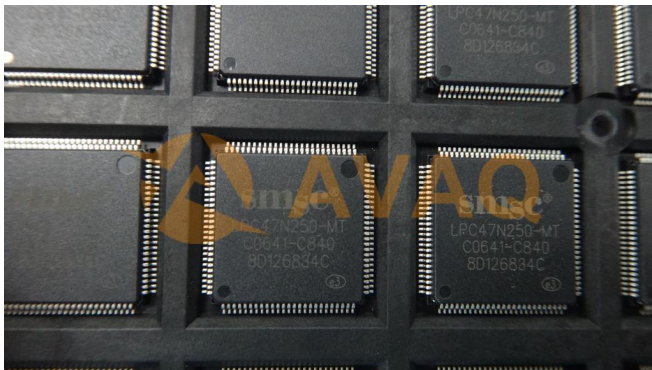
Inquiry

General Description

Avaq Semiconductor offers the highly versatile and reliable LPC47N227-MV driver, produced by Microchip Technology, Inc. With its multifunctional and high-performance capabilities, this component is an excellent choice for a wide range of electronic projects.

To ensure that you have all the necessary information to make the most of this component, Avaq provides a free datasheet PDF, as well as circuit diagrams, pin layouts, pin details, pin voltage ratings, and equivalent components for the LPC47N227-MV.

Avaq also offers free samples. Simply fill out and submit the sample request form to receive your free samples for testing. If you have any questions, please feel free to contact us at ar



Recommended For You

LPC47MI82-NW

Microchip Technology, Inc
QFP

LPC47M287-NW

Microchip Technology, Inc
QFP

LPC47N217-JV

Microchip Technology, Inc
QFP64

LPC47MI92-NC

Microchip Technology, Inc
QFP

LPC47MI07S-MC

Microchip Technology, Inc
QFP

LPC47MI07S-MS

Microchip Technology, Inc
QFP

LPC47MI82E-NW

Microchip Technology, Inc
QFP

LPC47N217N-ABZJ

Microchip Technology, Inc
QFN56

LPC47MI02S-MS

Microchip Technology, Inc
QFP100

LPC47N237-MT

Microchip Technology, Inc
QFP

LPC47MI12-MW

Microchip Technology, Inc
QFP

LPC47MI42-NC

Microchip Technology, Inc
QFP

LPC47N207-JV

Microchip Technology, Inc
QFP

LPC47N267-MN

Microchip Technology, Inc
QFP

LPC47B277QFP

Microchip Technology, Inc
QFP