


**Bluetooth v4.0 (BLE) SMART SOC Class II USB 1Mbps 40-Pin VQFN EP T/R**

<b>Manufacturer:</b>	Texas Instruments, Inc
<b>Package/Case:</b>	VQFN40
<b>Product Type:</b>	RF Integrated Circuits
<b>RoHS:</b>	RoHS Compliant/Lead free 
<b>Lifecycle:</b>	Active



Images are for reference only

[Inquiry](#)

**General Description**

Avaq Semiconductor offers the highly versatile and reliable CC2540F128RHAR driver, produced by Texas Instruments, Inc. With its multifunctional and high-performance capabilities, this component is an excellent choice for a wide range of electronic projects.

To ensure that you have all the necessary information to make the most of this component, Avaq provides a free datasheet PDF, as well as circuit diagrams, pin layouts, pin details, pin voltage ratings, and equivalent components for the CC2540F128RHAR.

Avaq also offers free samples. Simply fill out and submit the sample request form to receive your free samples for testing. If you have any questions, please feel free to contact us at ar

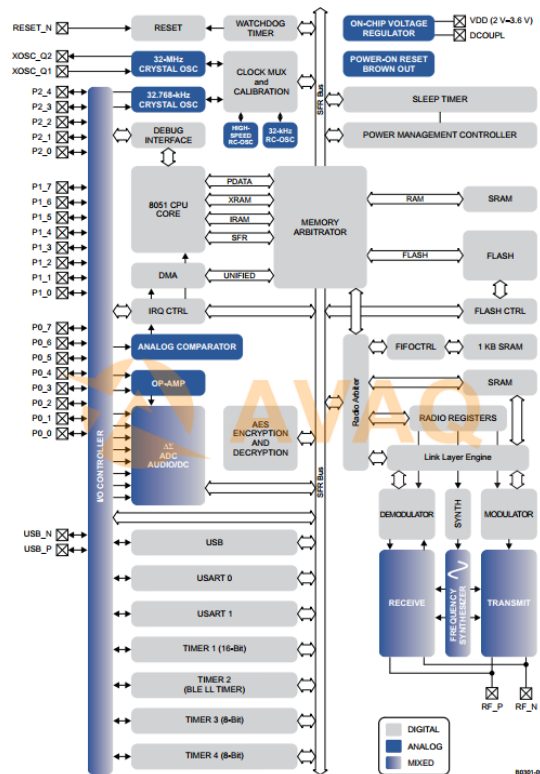


Figure 8. CC2540 Block Diagram

**Recommended For You**

**CC2592RGVR**

Texas Instruments, Inc  
QFN16

**CC2530F128RHAR**

Texas Instruments, Inc  
QFN40

**CC1352R1F3RGZR**

Texas Instruments, Inc  
VQFN-48

**CC2420RTCR**

Texas Instruments, Inc  
QFN48

**CC2640F128RGZT**

Texas Instruments, Inc  
VQFN-48

**CC2541F256RHAR**

Texas Instruments, Inc  
QFN40

**CC1110F32RSP**

Texas Instruments, Inc  
QFN

**CC2640F128RSMR**

Texas Instruments, Inc  
VQFN32

**CC8520RHAR**

Texas Instruments, Inc  
VQFN40

**CC1352P1F3RGZT**

Texas Instruments, Inc  
VQFN48

**CC2541F128RHAR**

Texas Instruments, Inc  
VQFN40

**CC1190RGVT**

Texas Instruments, Inc  
VQFN16

**CC2540F256RHAR**

Texas Instruments, Inc  
QFN40

**CC2564RVMT**

Texas Instruments, Inc  
BGA

**CC2640F128RSMI**

Texas Instruments, Inc  
VQFN32