
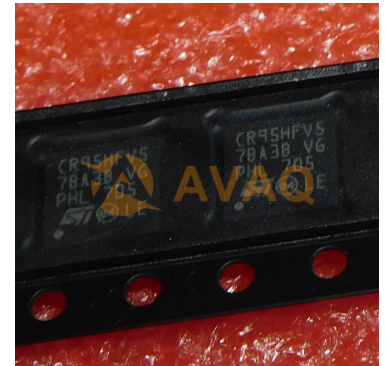


## NFC/RFID Read/Write 13.553MHz to 13.567MHz 32-Pin VFQFPN EP T/R

<b>Manufacturer:</b>	<a href="#">STMicroelectronics, Inc</a>
<b>Package/Case:</b>	QFPN32
<b>Product Type:</b>	RF Integrated Circuits
<b>RoHS:</b>	RoHS Compliant/Lead free 
<b>Lifecycle:</b>	Active



Images are for reference only

[Inquiry](#)

### General Description

The CR95HF is an integrated transceiver IC for contactless applications.

The CR95HF manages frame coding and decoding in Reader mode for standard applications such as near field communication (NFC), proximity and vicinity standards. The CR95HF embeds an Analog Front End to provide the 13.56 MHz Air Interface. The CR95HF supports ISO/IEC 14443 Type A and B, ISO/IEC 15693 (single or double subcarrier) and ISO/IEC 18092 communication protocols. The CR95HF also supports the detection, reading and writing of NFC Forum Type 1, 2, 3 and 4 tags.

## Key Features

CR95HF belongs to the ST25 family which includes all ST's NFC/RFID tag and reader products

Operating modes supported:

Reader/Writer

Hardware features

Dedicated internal frame controller

Highly integrated Analog Front End (AFE) for RF communications

Transmission and reception modes

Optimized power management

Tag Detection mode

RF communication @ 13.56 MHz

ISO/IEC 14443 Type A and B

ISO/IEC 15693

ISO/IEC 18092

MIFARE Classic compatible 12

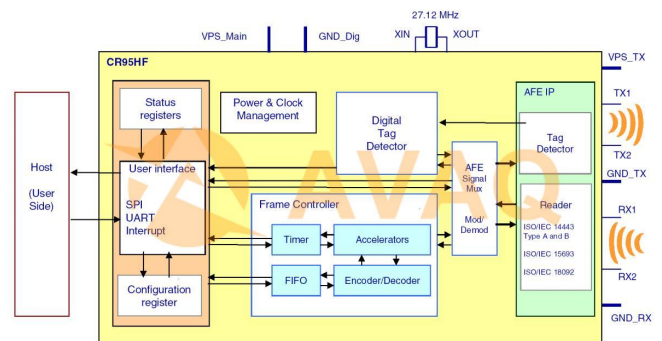
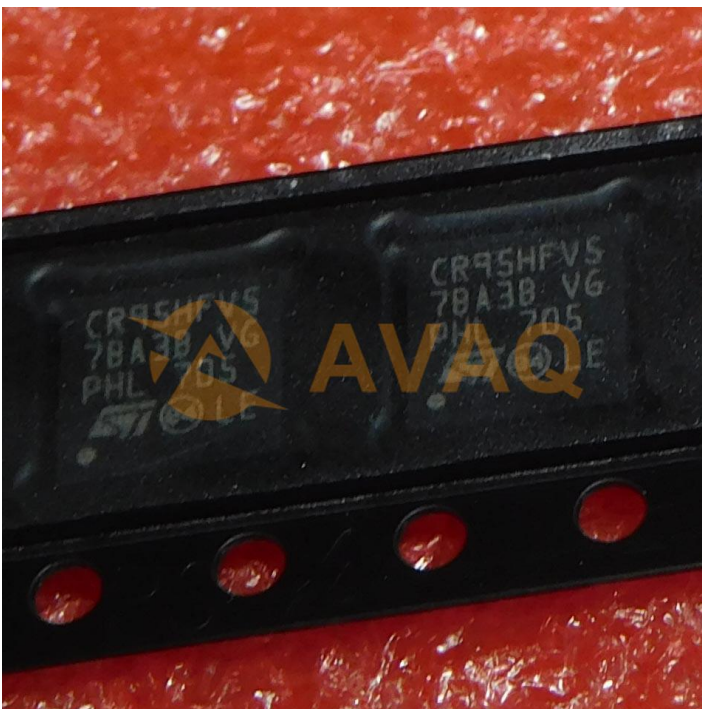
Communication interfaces with a Host Controller

Serial peripheral interface (SPI) Slave interface

Universal asynchronous receiver/transmitter (UART)

Up to 528-byte command/reception buffer (FIFO)

32-lead, 5x5mm, very thin fine pitch quad flat (VFQFPN) ECOPACK2 package



## Recommended For You

---

### CR14-MQP

STMicroelectronics, Inc  
N

### CR14-MQP/1GE

STMicroelectronics, Inc  
N

### M24LR04E-RDW6T/2

STMicroelectronics, Inc  
TSSOP8

### BlueNRG-232

STMicroelectronics, Inc  
QFN32

### M24LR04E-RMC6T/2

STMicroelectronics, Inc  
8-UFDFN

### STA5620

STMicroelectronics, Inc  
QFN

### ST25RU3993-BQFT

STMicroelectronics, Inc  
QFN48

### ST25R95-VMD5T

STMicroelectronics, Inc  
QFN32

### BLUENRG-345AC

STMicroelectronics, Inc  
QFN32

### TDA7706

STMicroelectronics, Inc  
LQFP64

### STA8090FG

STMicroelectronics, Inc  
BGA

### STA8088GA

STMicroelectronics, Inc  
QFN

### ST95HF-VMD5T

STMicroelectronics, Inc  
QFN32

### TDA7540N

STMicroelectronics, Inc  
QFP

### SRIX4K-A4S/1GE

STMicroelectronics, Inc  
N