
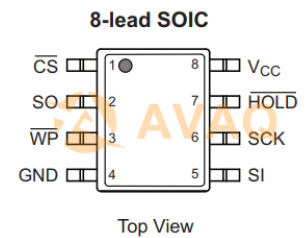


EEPROM Serial-SPI 2M-bit 256K x 8 1.8V/2.5V/3.3V/5V 8-Pin SOIC Tube

Manufacturer:	Microchip Technology, Inc
Package/Case:	SOP8
Product Type:	Memory
RoHS:	RoHS Compliant/Lead free 
Lifecycle:	Active



Images are for reference only

[Inquiry](#)

General Description

The Microchip AT25M02 is a 2 Mb Serial EEPROM utilizing the industry standard Serial Peripheral Interface (SPI) compatible serial bus. The device is organized as one block of 256K x 8-bit and is optimized for use in consumer electronics, industrial, medical, and automotive applications where reliable and dependable nonvolatile memory storage is essential. Software write protection allows the user to protect 1/4, 1/2, or the entire memory array. A hardware write protect pin is also provided, which additionally protects against inadvertent writes to the status register. The EEPROM is available in a variety of space-saving packaging options.

Key Features

256K x 8-bit (2 Mbit)

Supports SPI modes 0 and 3

Up to 5 MHz clock frequency

Self-Timed Erase and Write Cycles (10 ms max.)

Read current: 1 mA (Max) at 5 MHz

Write current: 2 mA (Max) at 1.8V

Standby current: 1µA (Max) at 1.8V

Block Write Protection: Protect 1/4, 1/2 or Entire Array

More than 1 million erase/write cycles

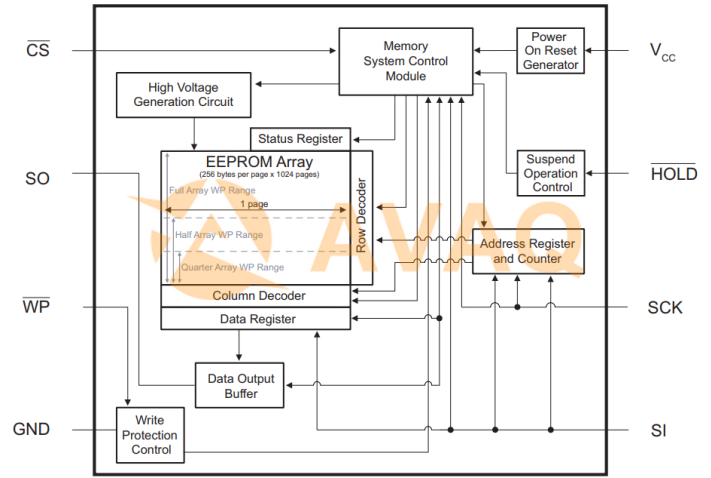
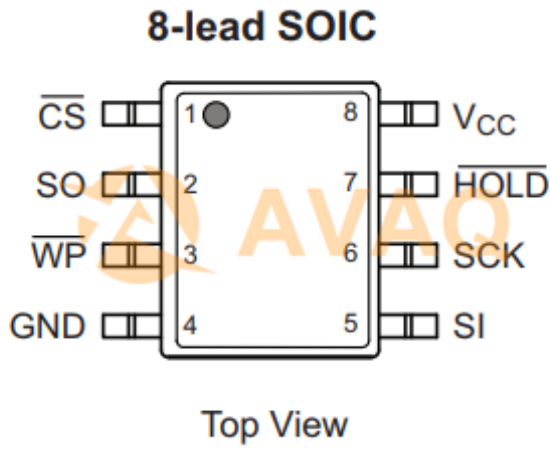
Data retention 100 years

Temperature Ranges Available

Industrial: -40°C to 85°C

Factory Programming Available

Available in standard package 8-lead SOIC, and advanced packages including 8-ball wLCSP and Die in wafer form



Recommended For You

AT93C46E-PU

Microchip Technology, Inc
DIP8

AT93C46D-PU

Microchip Technology, Inc
DIP8

AT24C64D-SSHMT

Microchip Technology, Inc
SOP8

AT24C128C-MAHMT

Microchip Technology, Inc
UDFN-8

AT93C66B-XHMT

Microchip Technology, Inc
TSSOP8

AT25256B-SSHL-T

Microchip Technology, Inc
SOP8

AT24C08C-SSHMT

Microchip Technology, Inc
SOP8

AT24C04C-PUM

Microchip Technology, Inc
DIP8

AT24C256C-SSHL-T

Microchip Technology, Inc
SOP8

AT24C02C-XHMT

Microchip Technology, Inc
TSSOP8

AT24C02C-XHMT-B

Microchip Technology, Inc
TSSOP8

AT24C32D-SSHMT

Microchip Technology, Inc
SOP8

AT24C02C-SSHMT

Microchip Technology, Inc
SOP8

AT24C16C-SSHMT-B

Microchip Technology, Inc
SOP-8

AT93C56B-SSHMT

Microchip Technology, Inc
SOP8