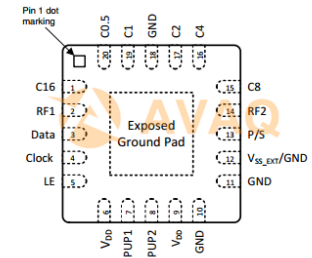


## 6Bit 0.5dB Step 31.5dB 4GHz 20-Pin QFN EP T/R

<b>Manufacturer:</b>	pSemi Corporation
<b>Package/Case:</b>	QFN
<b>Product Type:</b>	RF Integrated Circuits
<b>RoHS:</b>	RoHS Compliant/Lead free
<b>Lifecycle:</b>	Active

Figure 3. Pin Configuration (Top View)



Images are for reference only

[Inquiry](#)

### General Description

Avaq Semiconductor offers the highly versatile and reliable PE4312C-Z driver, produced by pSemi Corporation. With its multifunctional and high-performance capabilities, this component is an excellent choice for a wide range of electronic projects.

To ensure that you have all the necessary information to make the most of this component, Avaq provides a free datasheet PDF, as well as circuit diagrams, pin layouts, pin details, pin voltage ratings, and equivalent components for the PE4312C-Z.

Avaq also offers free samples. Simply fill out and submit the sample request form to receive your free samples for testing. If you have any questions, please feel free to contact us at ar

Figure 3. Pin Configuration (Top View)

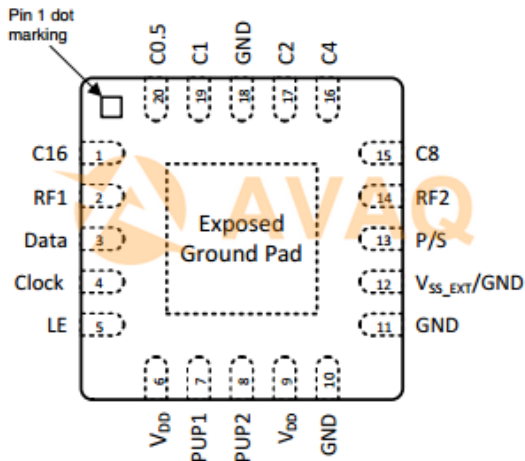
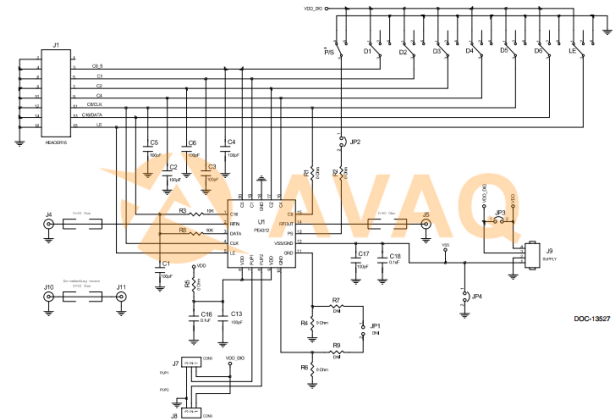


Figure 26. Evaluation Board Schematic



### Recommended For You

#### PE43704B-Z

pSemi Corporation  
QFN

#### PE42582A-X

pSemi Corporation  
QFN

#### PE43705B-Z

pSemi Corporation  
QFN32

**PE43702MLI-Z**

pSemi Corporation

QFN24

**PE4250MLI-Z**

pSemi Corporation

MSOP8

**PE3512**

pSemi Corporation

SC70-6

**PE4140B-z**

pSemi Corporation

QFN

**PE9313**

pSemi Corporation

BGA

**PE423422A-Z**

pSemi Corporation

QFN12

**PE4251MLI-Z**

pSemi Corporation

MSOP8

**PE43711B-Z**

pSemi Corporation

QFN

**PE43205MLAA-Z**

pSemi Corporation

QFN

**PE4312MLBA-Z**

pSemi Corporation

QFN20

**PE3513**

pSemi Corporation

SC70-6

**PE4314B-Z**

pSemi Corporation

QFN