
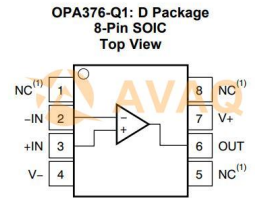


Op Amp Dual Precision Amplifier R-R I/O $\pm 2.75\text{V}/5.5\text{V}$ Automotive 8-Pin SOIC T/R

Manufacturer:	Texas Instruments, Inc
Package/Case:	SOP8
Product Type:	Amplifier ICs
RoHS:	RoHS Compliant/Lead free 
Lifecycle:	Active



Images are for reference only

[Inquiry](#)

General Description

The OPAx376-Q1 family represents a new generation of low-noise e-trim operational amplifiers, offering outstanding dc precision and ac performance. Rail-to-rail output, low offset (25 μV maximum), low noise (7.5 $\text{nV}/\sqrt{\text{Hz}}$), quiescent current of 950 μA (maximum), and a 5.5-MHz bandwidth make this device very attractive for a variety of precision and portable applications. In addition, this device has a reasonably wide supply range with excellent PSRR, making the OPA376-Q1 an excellent choice for applications that run directly from batteries without regulation.

The OPA376-Q1 (single version) is available in MicroSIZE SC70-5, SOT23-5, and SOIC-8 packages. The OPA2376-Q1 (dual) is offered in the SOIC-8 and VSSOP-8 package. The OPA4376-Q1 (quad) is offered in a TSSOP-14 package. All versions are specified for operation from -40°C to $+125^{\circ}\text{C}$.

Key Features

AEC-Q100 qualified for automotive applications:
Temperature grade 1: -40°C to $+125^{\circ}\text{C}$, T_{A}

Functional-Safety Capable
Documentation available to aid functional safety system design (OPA376-Q1 and OPA2376-Q1)

Low noise: 7.5 $\text{nV}/\sqrt{\text{Hz}}$ at 1 kHz

0.1-Hz to 10-Hz noise: 0.8 μVpp

Quiescent current: 760 μA (typical)

Low offset voltage: 5 μV (typical)

Gain bandwidth product: 5.5 MHz

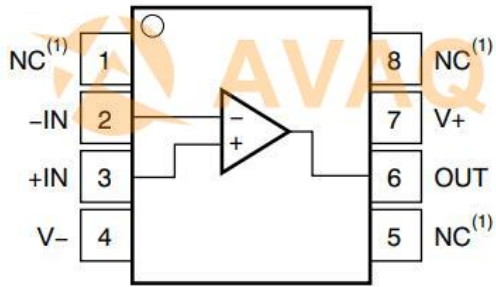
Rail-to-rail input and output

Single-supply operation

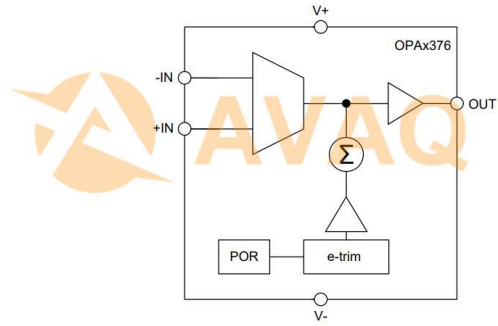
Supply voltage: 2.2 V to 5.5 V

Space-saving packages:
SC70, SOT-23, VSSOP, TSSOP

**OPA376-Q1: D Package
8-Pin SOIC
Top View**



Functional Block Diagram



Recommended For You

OPA445BM

Texas Instruments, Inc
CAN

OPA1611AIDR

Texas Instruments, Inc
SOP8

OPA388QDBVRQ1

Texas Instruments, Inc
SOT23-5

OPA2365AQDRQ1

Texas Instruments, Inc
SOP8

OPA334AIDBVR

Texas Instruments, Inc
SOT23-6

OPA2835IDGSR

Texas Instruments, Inc
MSOP10

OPA656U

Texas Instruments, Inc
SOP8

OPA360AIDCKR

Texas Instruments, Inc
SC70-6

LMI11H/NOPB

Texas Instruments, Inc
CAN8

OPA353UA

Texas Instruments, Inc
SOP8

LMI3700MX/NOPB

Texas Instruments, Inc
SOP16

OPA633KP

Texas Instruments, Inc
DIP8

OPA453FAKTWT

Texas Instruments, Inc
TO263-7

OPA4251UA

Texas Instruments, Inc
SOP14

LMV321M5X/NOPB

Texas Instruments, Inc
SOT23-5