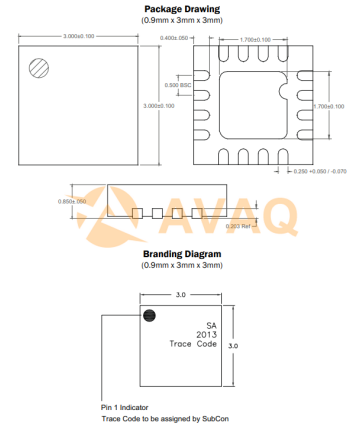


## Voltage Controlled Attenuator 30dB 6000MHz 16-Pin QFN EP T/R

<b>Manufacturer:</b>	<a href="#">Qorvo, Inc</a>
<b>Package/Case:</b>	QFN
<b>Product Type:</b>	RF Integrated Circuits
<b>RoHS:</b>	RoHS Compliant/Lead free
<b>Lifecycle:</b>	Active



Images are for reference only

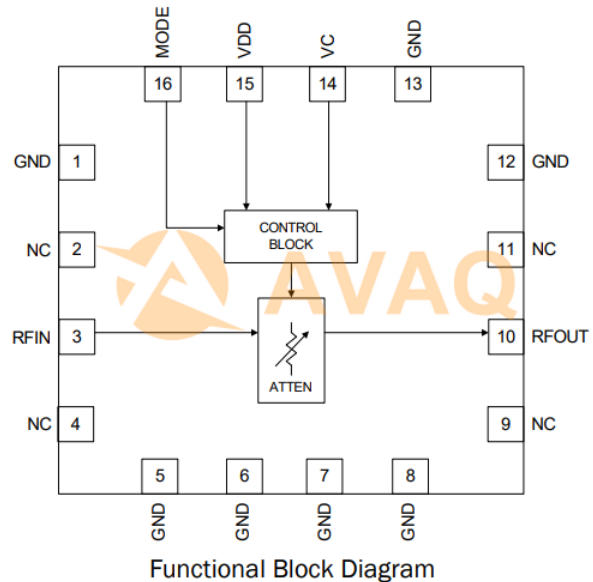
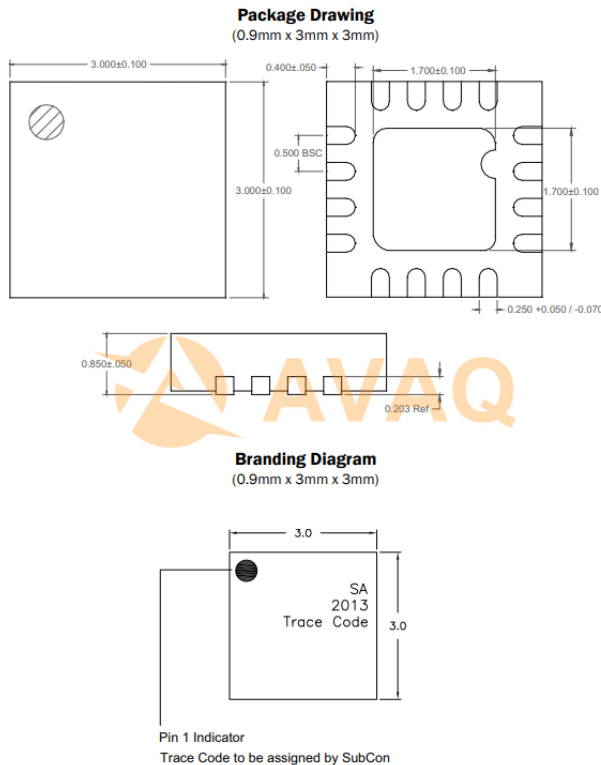
Inquiry

### General Description

Avaq Semiconductor offers the highly versatile and reliable RFSA2013TR7 driver, produced by Qorvo, Inc. With its multifunctional and high-performance capabilities, this component is an excellent choice for a wide range of electronic projects.

To ensure that you have all the necessary information to make the most of this component, Avaq provides a free datasheet PDF, as well as circuit diagrams, pin layouts, pin details, pin voltage ratings, and equivalent components for the RFSA2013TR7.

Avaq also offers free samples. Simply fill out and submit the sample request form to receive your free samples for testing. If you have any questions, please feel free to contact us at ar



### Recommended For You

**RF2051**

Qorvo, Inc  
QFN

**RF2051SR**

Qorvo, Inc  
QFN

**RFMD2080TR13**

Qorvo, Inc  
QFN

**RFSA2013SR**

Qorvo, Inc  
NULL

**REFM6404TR13**

Qorvo, Inc  
LGA-28

**RFPD3220**

Qorvo, Inc  
PACK

**RFPP3870**

Qorvo, Inc  
SMD

**RFSA2023TR7**

Qorvo, Inc  
QFN

**RFSA2033TR7**

Qorvo, Inc  
QFN

**RFSA3714TR13**

Qorvo, Inc  
QFN

**RF6555**

Qorvo, Inc  
QFN

**REFM4554TR7**

Qorvo, Inc  
QFN

**REFM6907SR**

Qorvo, Inc  
QFN

**REFM8228P**

Qorvo, Inc  
QFN

**RF5604**

Qorvo, Inc  
BGA