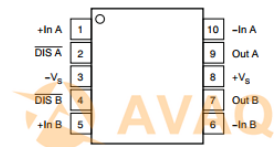


## Op Amp Dual High Speed Amplifier $\pm 6V/12V$ 10-Pin VSSOP T/R



Images are for reference only

[Inquiry](#)

**Manufacturer:** [Texas Instruments, Inc](#)

**Package/Case:** VSSOP-10

**Product Type:** Amplifier ICs

**RoHS:** RoHS Compliant/Lead free 

**Lifecycle:** Active

### General Description

The OPA2890 represents a major step forward in unity-gain stable, voltage-feedback op amps. A new internal architecture provides slew rate and full-power bandwidth previously found only in wideband, current-feedback op amps. These capabilities give exceptional single-supply operation. Using a single +5V supply, the OPA2890 can deliver a 0.9V to 4.1V output swing with over 30mA drive current and 210MHz bandwidth. This combination of features makes the OPA2890 an ideal RGB line driver or single-supply analog-to-digital converter (ADC) input driver.

The low 1.1mA/ch supply current of the OPA2890 is precisely trimmed at +25°C. This trim, along with low temperature drift, ensures lower maximum supply current than competing products. System power may be reduced further using the optional disable control pin (MSOP-10 package only). Leaving this disable pin open, or holding it high, operates the OPA2890 normally. If pulled low, the OPA2890 supply current drops to less than 30 $\mu$ A/ch while the output goes into a high-impedance state.

## Key Features

FLEXIBLE SUPPLY RANGE:

UNITY-GAIN STABLE

WIDEBAND +5V OPERATION: 90MHz

OUTPUT VOLTAGE SWING:  $\pm 4.1V$

HIGH SLEW RATE: 400V/ $\mu s$

LOW QUIESCENT CURRENT: 1.1mA/ch

LOW DISABLE CURRENT: 30 $\mu A$ /ch

APPLICATIONS

VIDEO LINE DRIVING

xDSL LINE DRIVERS/RECEIVERS

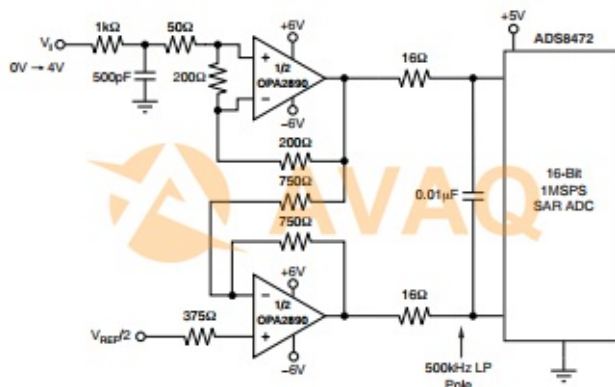
HIGH-SPEED IMAGING CHANNELS

ADC BUFFERS

PORTABLE INSTRUMENTS

TRANSIMPEDANCE AMPLIFIERS

ACTIVE FILTERS



## Recommended For You

### OPA445BM

Texas Instruments, Inc

CAN

### OPA1611AIDR

Texas Instruments, Inc

SOP8

### OPA388QDBVRQ1

Texas Instruments, Inc

SOT23-5

### OPA2365AQDRQ1

Texas Instruments, Inc

SOP8

### OPA334AIDBVR

Texas Instruments, Inc

SOT23-6

### OPA2835IDGSR

Texas Instruments, Inc

MSOP10

**OPA656U**

Texas Instruments, Inc  
SOP8

**OPA360AIDCKR**

Texas Instruments, Inc  
SC70-6

**LMI11H/NOPB**

Texas Instruments, Inc  
CAN8

**OPA353UA**

Texas Instruments, Inc  
SOP8

**LMI3700MX/NOPB**

Texas Instruments, Inc  
SOP16

**OPA633KP**

Texas Instruments, Inc  
DIP8

**OPA453FAKTWT**

Texas Instruments, Inc  
TO263-7

**OPA4251UA**

Texas Instruments, Inc  
SOP14

**LMV321M5X/NOPB**

Texas Instruments, Inc  
SOT23-5