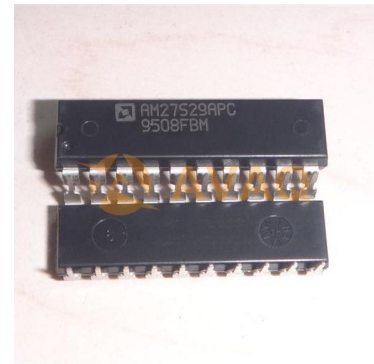


PROM Parallel 4K-bit 5V 20-Pin PDIP

Manufacturer:	Rochester Electronics Incorporated
Package/Case:	DIP20
Product Type:	Memory
Lifecycle:	Aftermarket



Images are for reference only

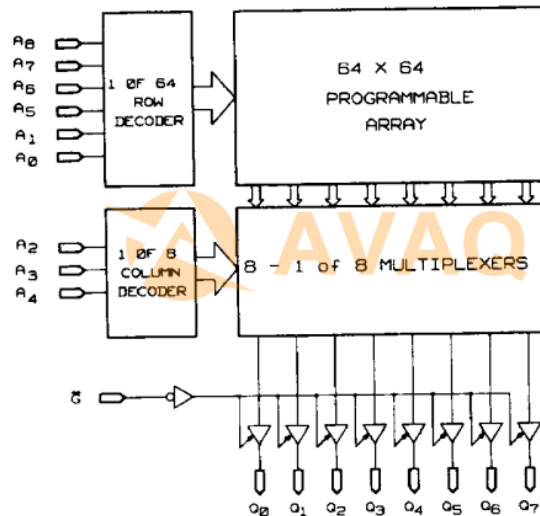
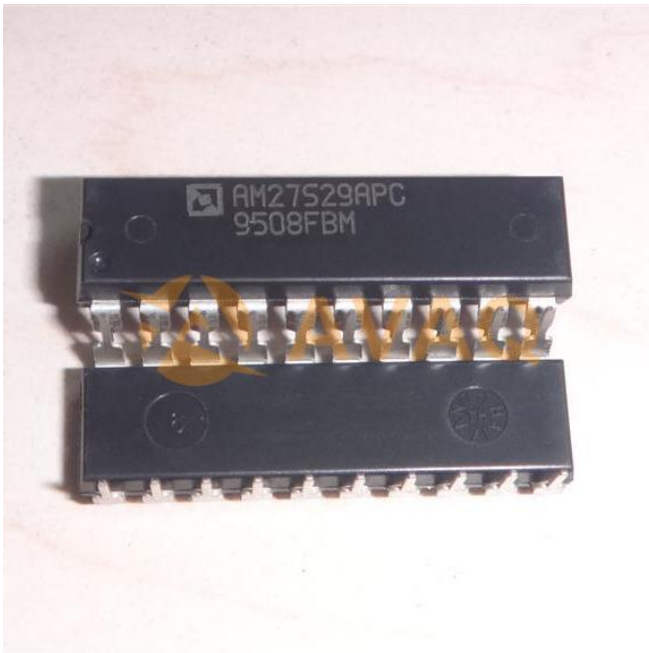
Inquiry

General Description

Avaq Semiconductor offers the highly versatile and reliable AM27S29APC driver, produced by Rochester Electronics Incorporated. With its multifunctional and high-performance capabilities, this component is an excellent choice for a wide range of electronic projects.

To ensure that you have all the necessary information to make the most of this component, Avaq provides a free datasheet PDF, as well as circuit diagrams, pin layouts, pin details, pin voltage ratings, and equivalent components for the AM27S29APC.

Avaq also offers free samples. Simply fill out and submit the sample request form to receive your free samples for testing. If you have any questions, please feel free to contact us at ar



Recommended For You

AM27C512-120DI

Rochester Electronics Incorporated
DIP

AM27C512-255DC

Rochester Electronics Incorporated
DIP

AM27C256-120DI

Rochester Electronics Incorporated
DIP

AM27C512-150DC

Rochester Electronics Incorporated

CDIP

AM27C010-200DC

Rochester Electronics Incorporated

CDIP

AM27C010-120DC

Rochester Electronics Incorporated

CDIP

AM27C010-45DC

Rochester Electronics Incorporated

DIP

AM27C256-200DI

Rochester Electronics Incorporated

DIP

AM27C010-120DI

Rochester Electronics Incorporated

DIP

AM27C010-150DI

Rochester Electronics Incorporated

CDIP

AM27C256-55DC

Rochester Electronics Incorporated

DIP

AM27C512-90DI

Rochester Electronics Incorporated

CDIP-28

AM27C256-150DI

Rochester Electronics Incorporated

DIP

AM27C010-45JC

Rochester Electronics Incorporated

PLCC

AM27C256-70DC

Rochester Electronics Incorporated

DIP