

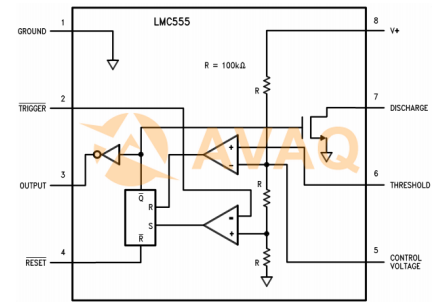
Standard Timer Single -40°C 85°C 8-Pin VSSOP T/R

Manufacturer: [Texas Instruments, Inc](#)

Package/Case: MSOP8

Product Type: Clock & Timer ICs

Lifecycle: NRND



Images are for reference only

[Inquiry](#)

General Description

The LMC555 device is a CMOS version of the industry standard 555 series general-purpose timers. In addition to the standard package (SOIC, VSSOP, and PDIP) the LMC555 is also available in a chip-sized package (8-bump DSBGA) using TI's DSBGA package technology. The LMC555 offers the same capability of generating accurate time delays and frequencies as the LM555 but with much lower power dissipation and supply current spikes. When operated as a one-shot, the time delay is precisely controlled by a single external resistor and capacitor. In the astable mode the oscillation frequency and duty cycle are accurately set by two external resistors and one capacitor. The use of TI's LMC MOS process extends both the frequency range and the low supply capability.

Key Features

Industry's Fastest Astable Frequency of 3 MHz

Available in Industry's Smallest 8-Bump DSBGA Package (1.43mm × 1.41mm)

Less Than 1 mW Typical Power Dissipation at 5 V Supply

1.5 V Supply Operating Voltage Ensured

Output Fully Compatible With TTL and CMOS Logic at 5 V Supply

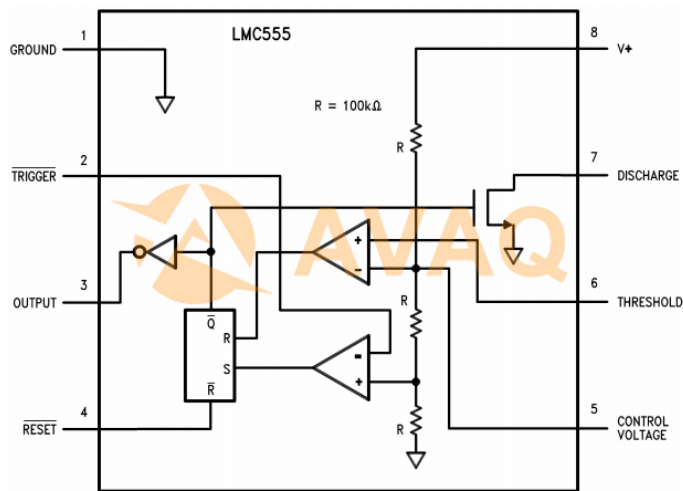
Tested to 10 mA, 50 mA Output Current Levels

Reduced Supply Current Spikes During Output Transitions

Extremely Low Reset, Trigger, and Threshold Currents

Excellent Temperature Stability

Pin-for-Pin Compatible With 555 Series of Timers



Recommended For You

LMK00334RTVR

Texas Instruments, Inc
WQFN32

LMC555CM

Texas Instruments, Inc
SOP8

LM555CM

Texas Instruments, Inc
SOP8

LMC555CMX/NOPB

Texas Instruments, Inc
SOP8

LM555CN

Texas Instruments, Inc
DIP8

LM555J/883

Texas Instruments, Inc
CDIP8

LM555CN/NOPB

Texas Instruments, Inc
DIP8

LMC555CMMX/NOPB

Texas Instruments, Inc
VSSOP8

LMK00101SQE/NOPB

Texas Instruments, Inc
WQFN32

LM555H/883

Texas Instruments, Inc
CAN

LMK1C1102DQFR

Texas Instruments, Inc
WSO8-8

LMC555CN

Texas Instruments, Inc
DIP

LMC555IMX/NOPB

Texas Instruments, Inc
SOP8

LMC555CTP

Texas Instruments, Inc
DSBGA

LM556CM/NOPB

Texas Instruments, Inc
SOP14