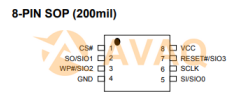


**NOR Flash Serial (SPI, Dual SPI, Quad SPI) 1.8V 32M-bit 32M/16M/8M x 1/2-bit/4-bit 8ns 8-Pin SOP**

<b>Manufacturer:</b>	Macronix International
<b>Package/Case:</b>	SOP-8
<b>Product Type:</b>	Memory
<b>RoHS:</b>	RoHS Compliant/Lead free
<b>Lifecycle:</b>	NRND



Images are for reference only

Inquiry

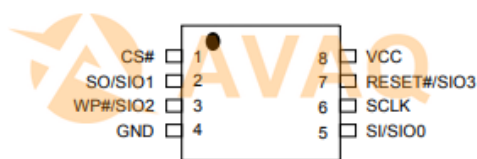
### General Description

Avaq Semiconductor offers the highly versatile and reliable MX25U3235FM2I-10G driver, produced by Macronix International. With its multifunctional and high-performance capabilities, this component is an excellent choice for a wide range of electronic projects.

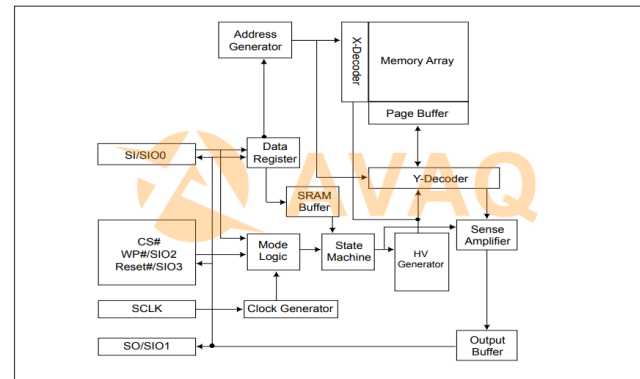
To ensure that you have all the necessary information to make the most of this component, Avaq provides a free datasheet PDF, as well as circuit diagrams, pin layouts, pin details, pin voltage ratings, and equivalent components for the MX25U3235FM2I-10G.

Avaq also offers free samples. Simply fill out and submit the sample request form to receive your free samples for testing. If you have any questions, please feel free to contact us at ar

**8-PIN SOP (200mil)**



**5. BLOCK DIAGRAM**



### Recommended For You

**MX25V1635FMII**

Macronix International  
SOP8

**MX25L51245GXDI-08G**

Macronix International  
BGA24

**MX25L3233FM2I-08G**

Macronix International  
SOP-8

**MX25L6445EMI-10G**

Macronix International  
SOP16

**MX25L51245GMI-08G**

Macronix International  
SOP16

**MX25U25635FZ2I-10G**

Macronix International  
WSO8

**MX25L1606EZUI-12G**

Macronix International  
QFN

**MX25L1606EMII-12G**

Macronix International  
SOP8

**MX29F400CBII-70G**

Macronix International  
TSOP48

**MX25L8006EM2I-12G**

Macronix International

SOP-8

**MX25L1006EMI-10G**

Macronix International

SOP-8

**MX25R6435FZNL0**

Macronix International

WSON8

**MX25L3233FMI-08G**

Macronix International

SOP16

**MX25V4006EMII-13G**

Macronix International

SOP8

**MX25L12835FZ2I-10G**

Macronix International

WSON8