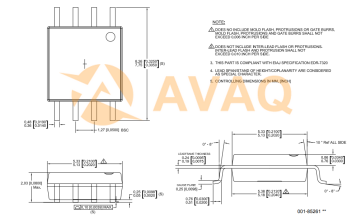


FRAM 2Mbit Serial-SPI Interface 2.5V/3.3V 8-Pin SOIC EIAJ T/R

Manufacturer:	<u>Infineon Technologies Corporation</u>
Package/Case:	SOP-8
Product Type:	Memory
RoHS:	RoHS Compliant/Lead free
Lifecycle:	Active

Package Diagrams Figure 20. 8-pin SOIC (208 Mils) Package Outline, 001-85261



Images are for reference only

[Inquiry](#)

General Description

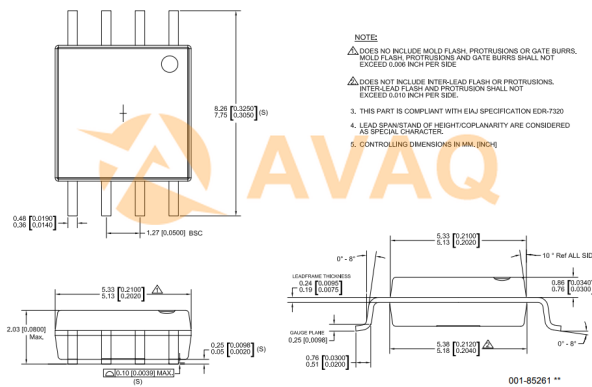
Avaq Semiconductor offers the highly versatile and reliable FM25V20A-GTR driver, produced by Infineon Technologies Corporation. With its multifunctional and high-performance capabilities, this component is an excellent choice for a wide range of electronic projects.

To ensure that you have all the necessary information to make the most of this component, Avaq provides a free datasheet PDF, as well as circuit diagrams, pin layouts, pin details, pin voltage ratings, and equivalent components for the FM25V20A-GTR.

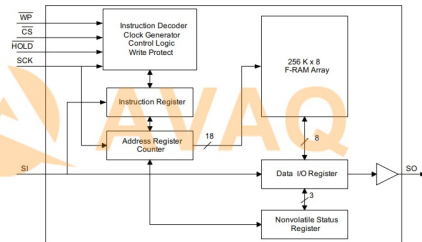
Avaq also offers free samples. Simply fill out and submit the sample request form to receive your free samples for testing. If you have any questions, please feel free to contact us at ar

Package Diagrams

Figure 20. 8-pin SOIC (208 Mils) Package Outline, 001-85261



Logic Block Diagram



Recommended For You

FM25C160B-G Infineon Technologies Corporation SOP8	FM25V02-G Infineon Technologies Corporation SOP8	FM24CL64B-G Infineon Technologies Corporation SOP8
FM22L16-55-TG Infineon Technologies Corporation TSSOP	FM25V02A-GTR Infineon Technologies Corporation SOP8	FM25V02A-G Infineon Technologies Corporation SOP8

FM25640B-G

Infineon Technologies Corporation

SOP8

FM24V01A-GTR

Infineon Technologies Corporation

SOP-8

FM24CL64B-GTR

Infineon Technologies Corporation

SOP8

FM21L16-60-TG

Infineon Technologies Corporation

TSOP44

FM24CL16B-DG

Infineon Technologies Corporation

TDFN-8

FMI6W08-SG

Infineon Technologies Corporation

SOP28

S25FL256LAGNFM010

Infineon Technologies Corporation

WSO8-8

FM25C160B-GA

Infineon Technologies Corporation

SOP8

FM20L08-60-TGC

Infineon Technologies Corporation

TSOP-32