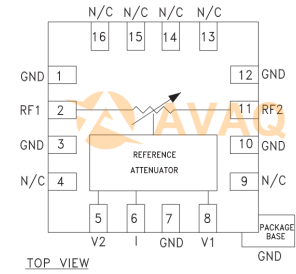


## Voltage Variable Attenuator 30dB 14000MHz 16-Pin LFCSP EP Cut Tape

<b>Manufacturer:</b>	Analog Devices, Inc
<b>Package/Case:</b>	QFN
<b>Product Type:</b>	RF Integrated Circuits
<b>RoHS:</b>	RoHS Compliant/Lead free
<b>Lifecycle:</b>	Obsolete

Functional Diagram



Images are for reference only

Inquiry

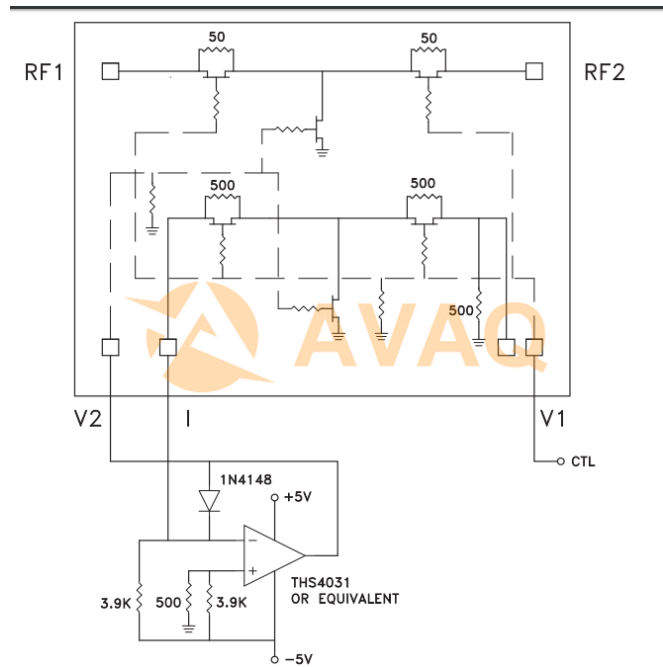
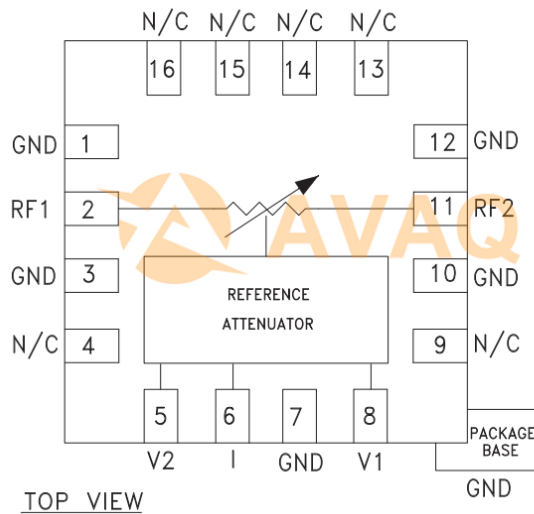
### General Description

Avaq Semiconductor offers the highly versatile and reliable HMC346LP3E driver, produced by Analog Devices, Inc. With its multifunctional and high-performance capabilities, this component is an excellent choice for a wide range of electronic projects.

To ensure that you have all the necessary information to make the most of this component, Avaq provides a free datasheet PDF, as well as circuit diagrams, pin layouts, pin details, pin voltage ratings, and equivalent components for the HMC346LP3E.

Avaq also offers free samples. Simply fill out and submit the sample request form to receive your free samples for testing. If you have any questions, please feel free to contact us at ar

Functional Diagram



### Recommended For You

#### HMC624ALP4E

Analog Devices, Inc  
QFN24

#### HMC952ALP5GE

Analog Devices, Inc  
QFN

#### HMC361S8GE

Analog Devices, Inc  
SOP-8

**HMC253AQS24E**

Analog Devices, Inc

QFN

**HMC346MS8G**

Analog Devices, Inc

MSOP8

**HMC1119LP4ME**

Analog Devices, Inc

QFN

**HMC659LC5**

Analog Devices, Inc

QFN

**HMC909LP4E**

Analog Devices, Inc

QFN

**HMC564LC4**

Analog Devices, Inc

QFN

**HMC1021LP4E**

Analog Devices, Inc

QFN

**HMC241AQS16E**

Analog Devices, Inc

SSOP16

**HMC424LP3E**

Analog Devices, Inc

QFN

**HMC662LP3E**

Analog Devices, Inc

QFN

**HMC8038LP4CE**

Analog Devices, Inc

QFN16

**HMC363S8G**

Analog Devices, Inc

SOP8