

SP Amp DIFF AMP Dual $\pm 5.5V/11V$ 24-Pin LFCSP EP T/R

Manufacturer:	Analog Devices, Inc
Package/Case:	LFCSP24
Product Type:	Amplifier ICs
RoHS:	RoHS Compliant/Lead free
Lifecycle:	Active

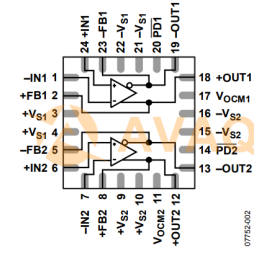


Figure 2. ADA4932-2

Images are for reference only

[Inquiry](#)

General Description

Avaq Semiconductor offers the highly versatile and reliable ADA4932-2YCPZ-R7 driver, produced by Analog Devices, Inc. With its multifunctional and high-performance capabilities, this component is an excellent choice for a wide range of electronic projects.

To ensure that you have all the necessary information to make the most of this component, Avaq provides a free datasheet PDF, as well as circuit diagrams, pin layouts, pin details, pin voltage ratings, and equivalent components for the ADA4932-2YCPZ-R7.

Avaq also offers free samples. Simply fill out and submit the sample request form to receive your free samples for testing. If you have any questions, please feel free to contact us at ar

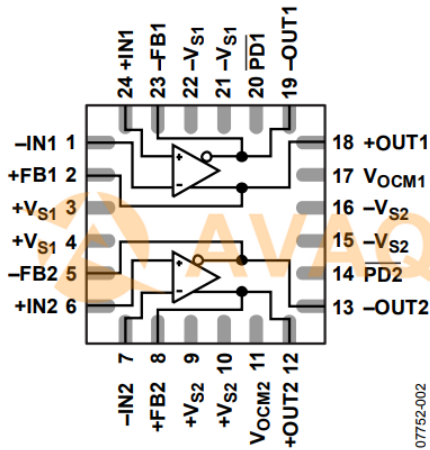


Figure 2. ADA4932-2

Recommended For You

AD8309ARUZ

Analog Devices, Inc
TSSOP16

AD524BDZ

Analog Devices, Inc
CDIP-16

AD8221BR

Analog Devices, Inc
SOP-8

AD8221ARZ

Analog Devices, Inc
SOP8

AD627BRZ

Analog Devices, Inc
SOP8

AD622ANZ

Analog Devices, Inc
DIP8

ADA4930-2YCPZ-R7

Analog Devices, Inc
LFCSP24

AD8034ARZ

Analog Devices, Inc
SOP8

AD8561ARZ

Analog Devices, Inc
SOP8

AD633JRZ

Analog Devices, Inc
SOP8

AD632AH

Analog Devices, Inc
CAN10

AD8422BRZ

Analog Devices, Inc
SOP8

ADCMP600BKSZ-R2

Analog Devices, Inc
SC70-5

AD620BN

Analog Devices, Inc
DIP8

AD620BR

Analog Devices, Inc
SOP