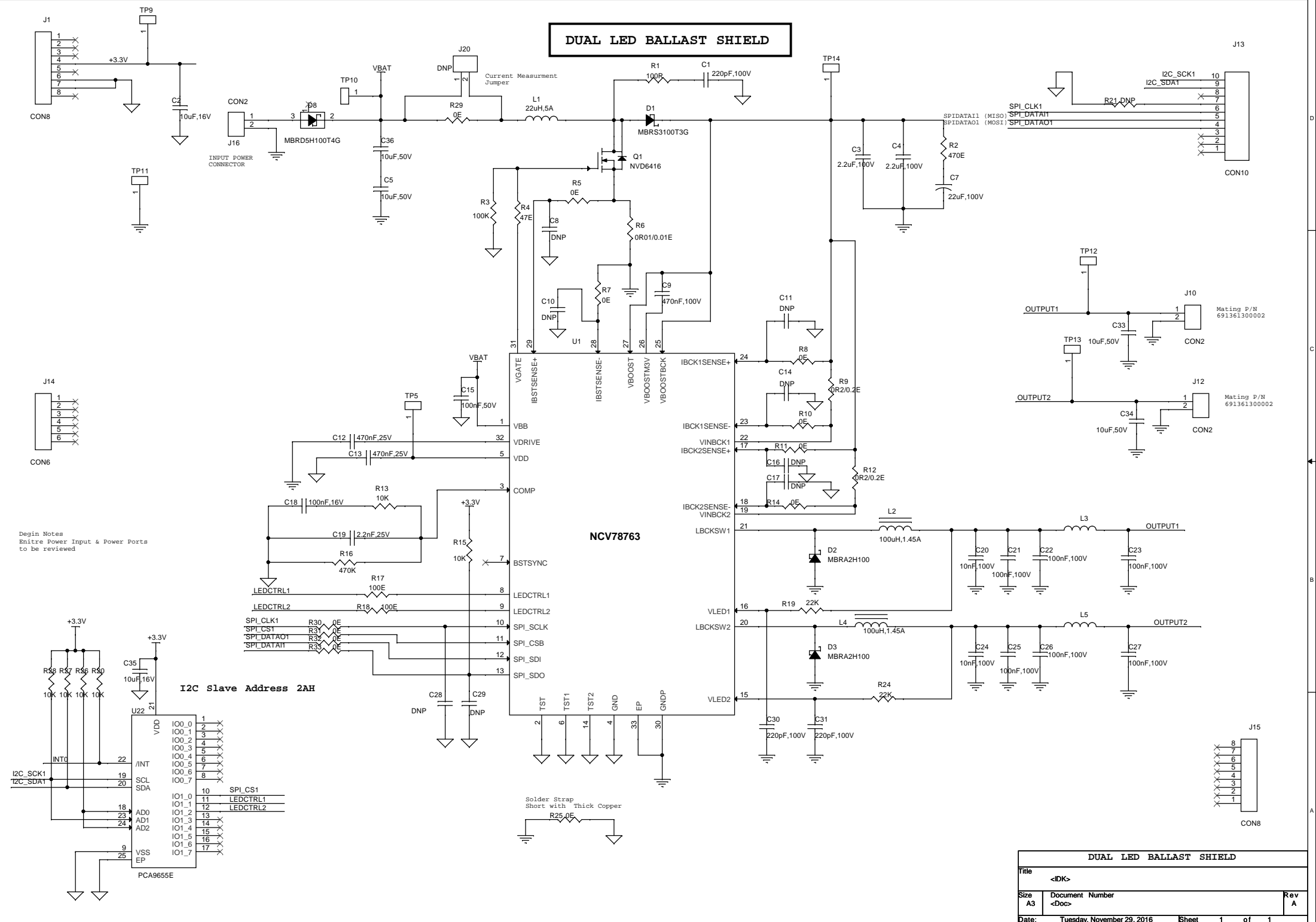


DUAL LED BALLAST SHIELD



Begin Notes
 Entire Power Input & Power Ports
 to be reviewed

I2C Slave Address 2AH

Solder Strap
 Short with Thick Copper
 R25,0E

DUAL LED BALLAST SHIELD		
Title	<IDK>	
Size	Document Number	Rev
A3	<Doc>	A
Date:	Tuesday, November 29, 2016	Sheet 1 of 1