
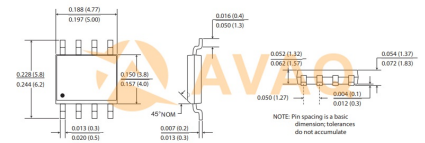


## Digital Isolator Three State 1-CH 110MBd 8-Pin SOIC Tube

<b>Manufacturer:</b>	<a href="#">Broadcom Corporation</a>
<b>Package/Case:</b>	SOP-8
<b>Product Type:</b>	Drivers
<b>RoHS:</b>	RoHS Compliant/Lead free 
<b>Lifecycle:</b>	Active



Images are for reference only

Inquiry

### General Description

The HCPL-09xx CMOS digital isolators feature high speed performance and excellent transient immunity specifications. The symmetric magnetic coupling barrier gives these devices a typical pulse width distortion of 2 ns, a typical propagation delay skew of 4 ns and 100 Mbaud data rate, making them the industry's fastest digital isolators.

The single channel digital isolators (HCPL-9000/0900) features an active-low logic output enable.

They are available in 8-pin PDIP, 8-pin Gul Wing, 8-pin SOIC packages, and 16-pin SOIC narrow-body and wide-body packages. They are specified over the temperature range of -40 Deg C to 100 Deg C. CAUTION: It is advised that normal static precautions be taken in handling and assembly of this component to prevent damage and/or degradation, which may be induced by ESD.

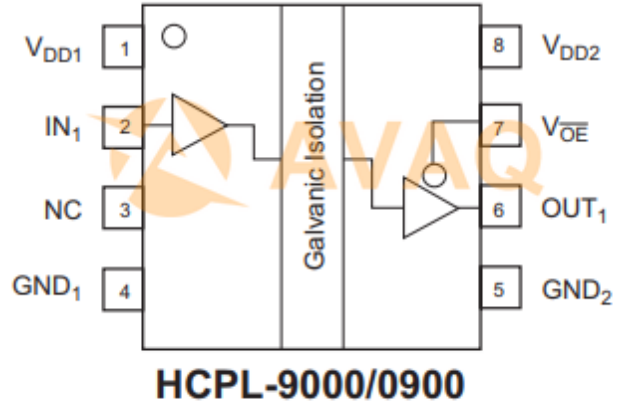
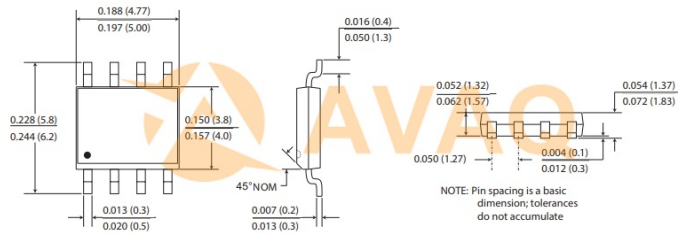
### Key Features

- 15kV/ $\mu$ s Minimum common mode rejection
- 2500VRMS Isolation
- +3.3V and +5V TTL/CMOS compatible
- 15ns Maximum propagation delay

### Application

- Digital fieldbus isolation
- Multiplexed data transmission
- Computer peripheral interface
- High speed digital systems
- Isolated data interfaces
- Logic level shifting

# Single Channel



## Recommended For You

### HCPL-9030

Broadcom Corporation  
SOP-8

### HCPL-900J-000E

Broadcom Corporation  
DIPSOP

### HCPL-090J-000E

Broadcom Corporation  
SOP-8

### HCPL-090J

Broadcom Corporation  
SOP16

### HCPL-9000

Broadcom Corporation  
DIP-8

### HCPL-0900

Broadcom Corporation  
SOP-8

### HCPL-9031-000E

Broadcom Corporation  
DIPSOP

### HCPL-091J-000E

Broadcom Corporation  
SOP16

### HCPL-0900-500E

Broadcom Corporation  
SOP-8

### HCPL-9030-000E

Broadcom Corporation  
SOP-8

### HCPL-9000-000E

Broadcom Corporation  
DIPSOP

### HCPL-091J-500E

Broadcom Corporation  
SOP16

### LSI53C1030

Broadcom Corporation  
BGA

### LSI53C1000

Broadcom Corporation  
BGA

### NET2280REV1A-LF

Broadcom Corporation  
QFP