

480s Voice Record and Playback 28-Pin SOIC

Manufacturer:	Nuvoton Technology Corporation
Package/Case:	SOP28
Product Type:	Drivers
Lifecycle:	Obsolete



Images are for reference only

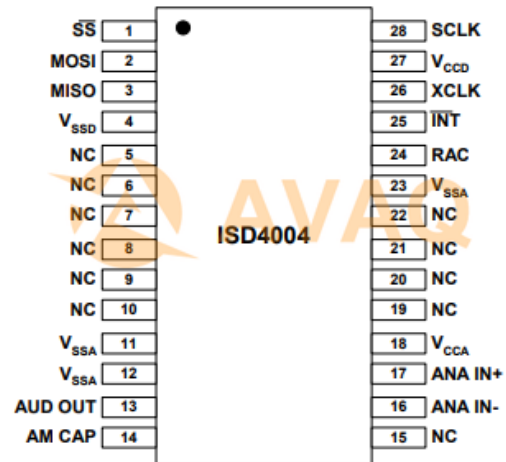
Inquiry

General Description

Avaq Semiconductor offers the highly versatile and reliable ISD4004-08MS driver, produced by Nuvoton Technology Corporation. With its multifunctional and high-performance capabilities, this component is an excellent choice for a wide range of electronic projects.

To ensure that you have all the necessary information to make the most of this component, Avaq provides a free datasheet PDF, as well as circuit diagrams, pin layouts, pin details, pin voltage ratings, and equivalent components for the ISD4004-08MS.

Avaq also offers free samples. Simply fill out and submit the sample request form to receive your free samples for testing. If you have any questions, please feel free to contact us at ar



Recommended For You

ISD1420P

Nuvoton Technology Corporation
DIP

ISD4004-16MS

Nuvoton Technology Corporation
SOP28

ISD2532P

Nuvoton Technology Corporation
DIP

ISD1760PY

Nuvoton Technology Corporation

DIP28

ISD1416P

Nuvoton Technology Corporation

DIP28

ISD2560P

Nuvoton Technology Corporation

DIP28

ISD3900FYI

Nuvoton Technology Corporation

LQFP48

ISD4002-120SY

Nuvoton Technology Corporation

SOP28

ISD1620BSY

Nuvoton Technology Corporation

SOP16

ISD17120SY

Nuvoton Technology Corporation

SOP28

ISD1760SY

Nuvoton Technology Corporation

SOP28

ISD1420S

Nuvoton Technology Corporation

SOP28

ISD25120P

Nuvoton Technology Corporation

DIP28

ISD1730SY

Nuvoton Technology Corporation

SOP28

ISD1730PY

Nuvoton Technology Corporation

DIP28