

## Clock Fanout Buffer 4-OUT 2-IN 1:4 16-Pin TSSOP Tube

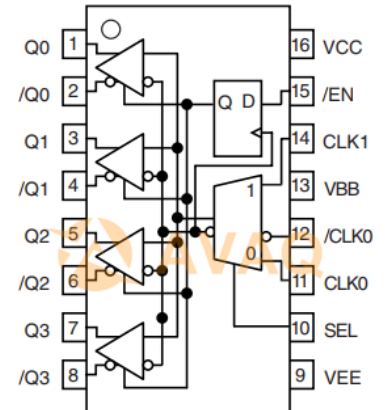
**Manufacturer:** [Microchip Technology, Inc](#)

**Package/Case:** TSSOP-16

**Product Type:** Drivers

**RoHS:** RoHS Compliant/Lead free 

**Lifecycle:** Active



**Available in 16-Pin TSSOP  
(K4-16-1)**

Images are for reference only

[Inquiry](#)

## General Description

The SY100EP15V is a high-speed, low-skew, PECL/ECL 1:4 precision fanout buffer with a 2:1 mux front end in a small 16-pin TSSOP package. The 2:1 mux input accepts a single-ended PECL/ECL source (CLK1) and a differential PECL/ECL/HSTL source (CLK0). All I/O pins are 100K EP PECL/ECL logic compatible. AC performance is guaranteed over the industrial  $-40^{\circ}\text{C}$  to  $+85^{\circ}\text{C}$  temperature range and 3.3V to 5V supply voltage. This device will operate in PECL/LVPECL or ECL/LVECL mode. For clock applications, the high-speed design combined with an extremely fast rise/fall time of less than 225ps produces a toggle frequency as high as 2.5GHz ( $\sim 400\text{mVPP}$  swing). A VBB output reference pin is available for AC-coupled and single-ended input applications. In addition, a synchronous output enable function is provided. The SY100EP15V is part of Micrel's high-speed, precision edge timing and distribution family. For applications that require a different I/O combination, consult Micrel's website and choose from a comprehensive product line of high-speed, low-skew fanout buffers, translators, and clock dividers.

## Key Features

High-speed 1:4 PECL/ECL fanout buffer

2:1 multiplexer input

Guaranteed AC parameters over temp/voltage:

Low jitter design:

Flexible power supply: 3.3V/5V

Wide operating temperature range:  $-40^{\circ}\text{C}$  to  $+85^{\circ}\text{C}$

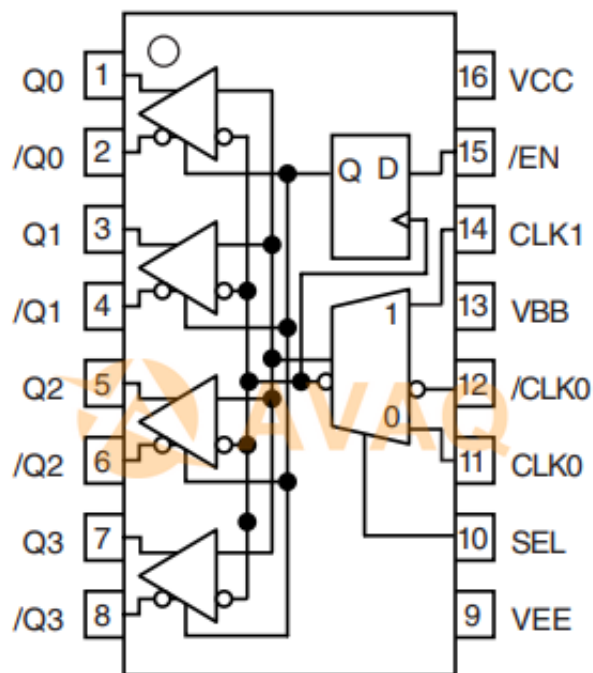
VBB reference for AC-coupled or single-ended applications

Output enable/disable function

100K PECL/ECL compatible logic

Input accepts PECL/LVPECL/ECL/HSTL logic levels

Available in a 16-pin TSSOP package



**Available in 16-Pin TSSOP  
(K4-16-1)**

**Recommended For You**

---

**SY58017UMG**

Microchip Technology, Inc  
QFN

**SY55855VKG**

Microchip Technology, Inc  
MSOP10

**SY58606UMG**

Microchip Technology, Inc  
MLF-16

**SY58608UMG**

Microchip Technology, Inc  
QFN16

**SY100EL16VZG**

Microchip Technology, Inc  
SOP8

**SY89547LMG**

Microchip Technology, Inc  
QFN-32

**SY100ELT22ZG**

Microchip Technology, Inc  
SOP8

**SY58020UMG**

Microchip Technology, Inc  
QFN

**SY100ELT22LZG**

Microchip Technology, Inc  
SOP-8

**SY58604UMG-TR**

Microchip Technology, Inc  
VDFN-8

**SY89854UMG**

Microchip Technology, Inc  
QFN

**SY58012UMG**

Microchip Technology, Inc  
QFN

**SY89473UMG**

Microchip Technology, Inc  
QFN-24

**SY100ELT22LZG-TR**

Microchip Technology, Inc  
SOP8

**SY58011UMG**

Microchip Technology, Inc  
QFN