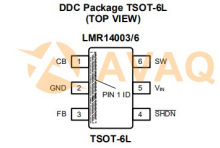


**Conv DC-DC 4V to 40V Step Down Single-Out 0.8V to 30V 0.6A
Automotive 6-Pin TSOT-23 T/R**



Images are for reference only

Manufacturer: [Texas Instruments, Inc](#)

Package/Case: SOT23-6

Product Type: Power Management ICs

RoHS: RoHS Compliant/Lead free 

Lifecycle: Active

[Inquiry](#)

General Description

The LMR14006 is a PWM DC/DC buck (step-down) regulator. With a wide input range of 4 V-40 V, it is suitable for a wide range of application from industrial to automotive for power conditioning from an unregulated source. The regulator's standby current is 28 μ A in sleep mode, which is suitable for battery operating systems. An ultra low 1 μ A current can further prolong battery life in shutdown mode. Operating frequency is fixed at 1.1 MHz (X version) and 2.1 MHz (Y version) allowing the use of small external components while still being able to have low output ripple voltage. Soft-start and compensation circuits are implemented internally, and these allow the device to be used with minimized external components. The LMR14006 is optimized for up to 600 mA load current which has a 0.765 V typical feedback voltage. The device has built-in protection features such as pulse by pulse current limit, thermal sensing and shutdown due to excessive power dissipation. The LMR14006 is available in a low profile TSOT-6L package.

Key Features

Ultra Low 28 μ A Standby Current in Sleep Mode

Input Voltage Range 4 V to 40 V

1 μ A Shutdown Current

High Duty Cycle Operation Supported

Output Current up to 600 mA

1.1 MHz and 2.1 MHz Switching Frequency

Internal Compensation

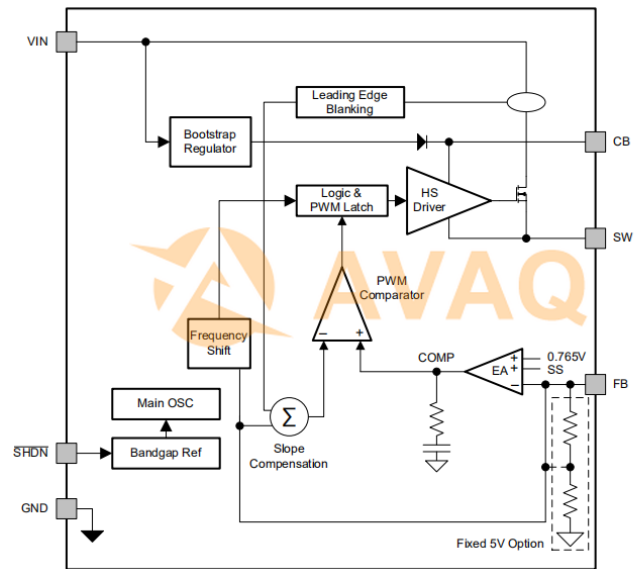
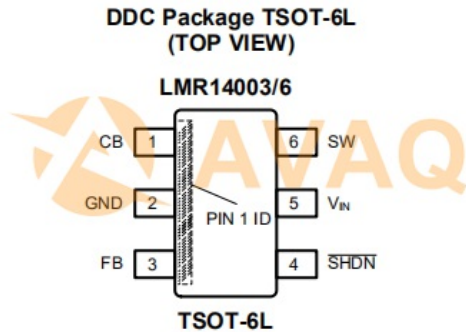
High Voltage Enable Input

Internal Soft Start

Over Current Protection

Over Temperature Protection

Small Overall Solution Size (TSOT-6L Package)



Recommended For You

LM2637M

Texas Instruments, Inc
SOP24

LM5116MH

Texas Instruments, Inc
TSSOP20

LM234Z-3

Texas Instruments, Inc
TO-92

LM27761DSGR

Texas Instruments, Inc
WSO8

LM74700QDBVRQ1

Texas Instruments, Inc
SOT23-6

LM2991S

Texas Instruments, Inc
TO-263

LM74800QDRRRQ1

Texas Instruments, Inc
WSO-12

LMR14030SDDAR

Texas Instruments, Inc
SOP8

LM2940CT-12

Texas Instruments, Inc
TO-220

LM536035QPWPTQ1

Texas Instruments, Inc
HTSSOP-16

LM5575MH

Texas Instruments, Inc
TSSOP16

LM536013QDSXTQ1

Texas Instruments, Inc
WSO-10

LM5160QPWPRQ1

Texas Instruments, Inc
HTSSOP14

LM5576MH

Texas Instruments, Inc
TSSOP20

LMQ61460AFSQRJRRQ1

Texas Instruments, Inc
VQFN-14