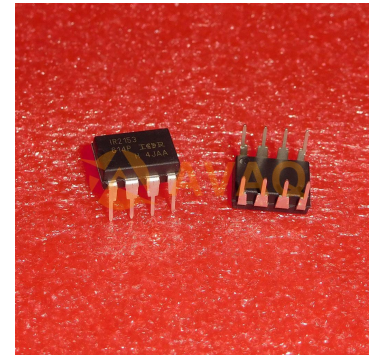


Driver 600V 2-OUT High and Low Side Half Brdg Inv/Non-Inv 8-Pin DIP Tube



Images are for reference only

[Inquiry](#)

Manufacturer: [Infineon Technologies Corporation](#)

Package/Case: DIP-8

Product Type: Drivers

RoHS: RoHS Compliant/Lead free 

Lifecycle: NRND

General Description

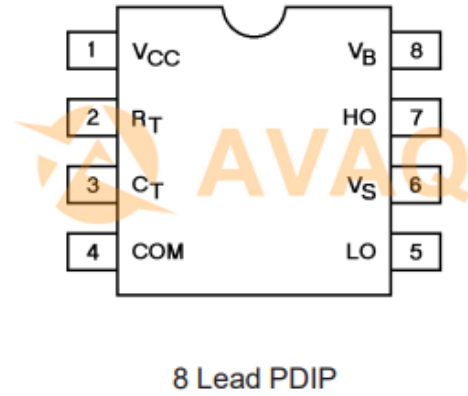
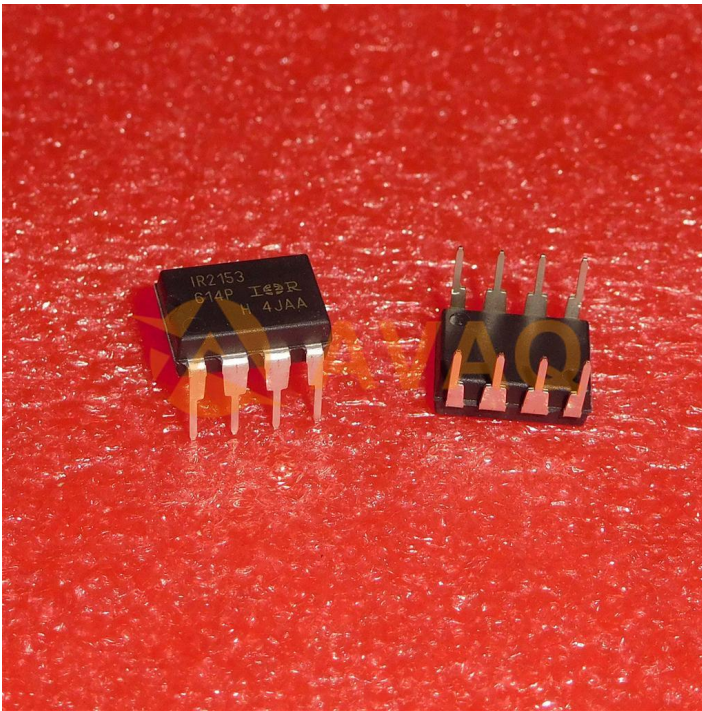
Self-Oscillating 600 V Half Bridge Driver IC with typical 0 A source and 0 A sink currents in 8 Lead PDIP package for IGBTs and MOSFETs. Also available in 8 Lead SOIC.

Key Features

- Integrated 600 V half-bridge gate driver
- 15.6 V zener clamp on Vcc
- True micropower start up
- Tighter initial deadtime control
- Low temperature coefficient deadtime
- Shutdown feature (1/6th Vcc) on CT pin
- Increased undervoltage lockout Hysteresis (1 V)
- Lower power level-shifting circuit
- Constant LO, HO pulse widths at startup
- Lower di/dt gate driver for better noise immunity
- Low side output in phase with RT
- Excellent latch immunity on all inputs and outputs
- ESd protection on all leads

Application

- Motor control and drives
- Robotics
- Home and building automation
- Power tools



Recommended For You

IR2130SPBF

Infineon Technologies Corporation

1

IR2111PbF

Infineon Technologies Corporation

DIP8

IRAMI36-1061A

Infineon Technologies Corporation

SIP-21

IR2103STRPBF

Infineon Technologies Corporation

SOP-8

IRAMS06UP60A

Infineon Technologies Corporation

MODULE

IRAMX16UP60B

Infineon Technologies Corporation

MODULE

IRAMS10UP60A-2

Infineon Technologies Corporation

MODULE

IR2117SPBF

Infineon Technologies Corporation

SOP-8

IR2104PBF

Infineon Technologies Corporation

DIP

IR2101SPBF

Infineon Technologies Corporation

SOP-8

IR2113STRPBF

Infineon Technologies Corporation

SOP-16

IR2118PBF

Infineon Technologies Corporation

DIP-8

IR2304SPBF

Infineon Technologies Corporation

SOP-8

IR2520DSIRPBF

Infineon Technologies Corporation

SOP-8

IRS44273LIRPBF

Infineon Technologies Corporation

SOT-23