
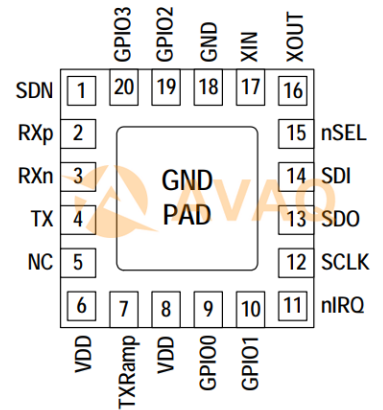


RF Transceiver FSK/OOK/GFSK 3.3V 20-Pin QFN EP T/R

Manufacturer:	Silicon Laboratories Inc
Package/Case:	QFN20
Product Type:	Communication & Networking ICs
RoHS:	RoHS Compliant/Lead free 
Lifecycle:	NRND



Images are for reference only

[Inquiry](#)

General Description

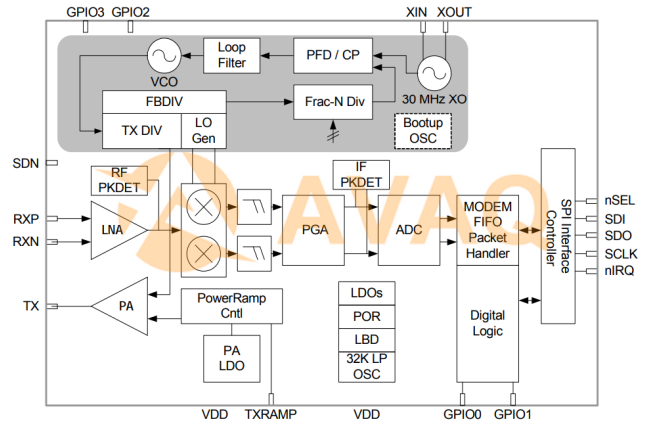
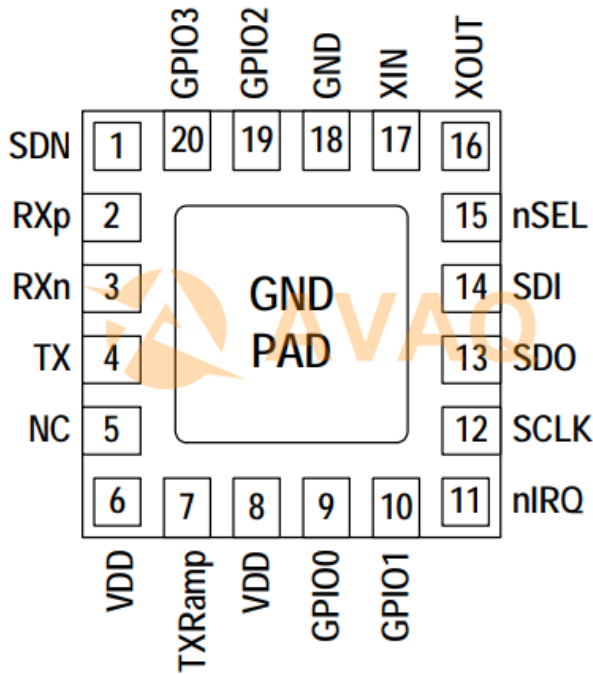
Key Features

Description

Silicon Laboratories' Si4438 is a high-performance, low-current transceivers covering the sub-GHz frequency bands from 425 to 525 MHz. The Si4438 is targeted at the Chinese smart meter market and is especially suited for electric meters. This device is footprint- and pin-compatible with the Si446x radios, which provide industry-leading performance for worldwide sub-GHz applications. The radios are part of the EZRadioPRO® family, which includes a complete line of transmitters, receivers, and transceivers covering a wide range of applications. All parts offer outstanding sensitivity of -124 dBm while achieving extremely low active and standby current consumption. The 58 dB adjacent channel selectivity with 12.5 kHz channel spacing ensures robust receive operation in harsh RF conditions. The Si4438 offers exceptional output power of up to +20 dBm with outstanding TX efficiency. The high output power and sensitivity results in an industry-leading link budget of 144 dB allowing extended ranges and highly robust communication links.

Features

- Frequency range = 425–525 MHz
- Receive sensitivity = -124 dBm
- Modulation
 - (G)FSK
 - OOK
- Max output power
 - +20 dBm
- Low active power consumption
 - 14 mA RX
 - Ultra low current powerdown modes
 - 30 nA shutdown, 50 nA standby
- Data rate = 100 bps to 500 kbps
- Fast wake and hop times
- Power supply = 1.8 to 3.6 V
- Excellent selectivity performance
 - 58 dB adjacent channel
 - 75 dB blocking at 1 MHz
- Antenna diversity and T/R switch control
- Highly configurable packet handler
- TX and RX 64 byte FIFOs
- Auto frequency control (AFC)
- Automatic gain control (AGC)
- Low BOM
- Low battery detector
- Temperature sensor
- 20-Pin QFN package
- IEEE 802.15.4g ready
- China regulatory



Recommended For You

Si4455-C2A-GMR

Silicon Laboratories Inc
QFN20

Si4362-C2A-GMR

Silicon Laboratories Inc
QFN20

Si4461-C2A-GM

Silicon Laboratories Inc
QFN20

Si4455-C2A-GM

Silicon Laboratories Inc
QFN20

SI4461-C2A-GMR

Silicon Laboratories Inc
QFN20

Si4060-C2A-GMR

Silicon Laboratories Inc
QFN20

Si4460-B1B-FMR

Silicon Laboratories Inc
QFN

Si4455-B1A-FM

Silicon Laboratories Inc
QFN

Si4468-A2A-IM

Silicon Laboratories Inc
QFN20

SI4463-B1B-FMR

Silicon Laboratories Inc
QFN20

Si4464-B1B-FMR

Silicon Laboratories Inc
QFN20

SI4464-B1B-FM

Silicon Laboratories Inc
QFN20

Si4432-B1-FM

Silicon Laboratories Inc
QFN20

Si4467-A2A-IM

Silicon Laboratories Inc
QFN20

SI4460-C2A-GMR

Silicon Laboratories Inc
QFN20