

4Bit 1dBStep 15dB 8GHz 16-Pin LFCSP EP Cut Tape

Manufacturer: [Analog Devices, Inc](#)

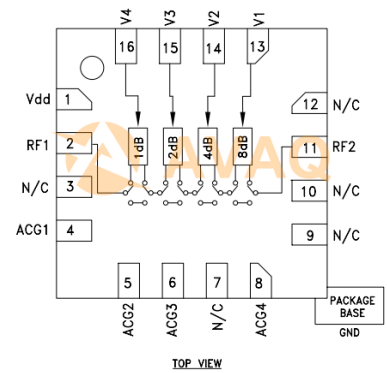
Package/Case: QFN16

Product Type: RF Integrated Circuits

RoHS: RoHS Compliant/Lead free 

Lifecycle: Active

Functional Diagram



Images are for reference only

[Inquiry](#)

General Description

Key Features

1 dB LSB Steps to 15 dB

Low Insertion Loss: 1 dB

High IP3: +50 dBm

Single Control Line Per Bit

TTL/CMOS Compatible Control

Single +5V Supply

3x3 mm SMT Package

Application

APPLICATIONS

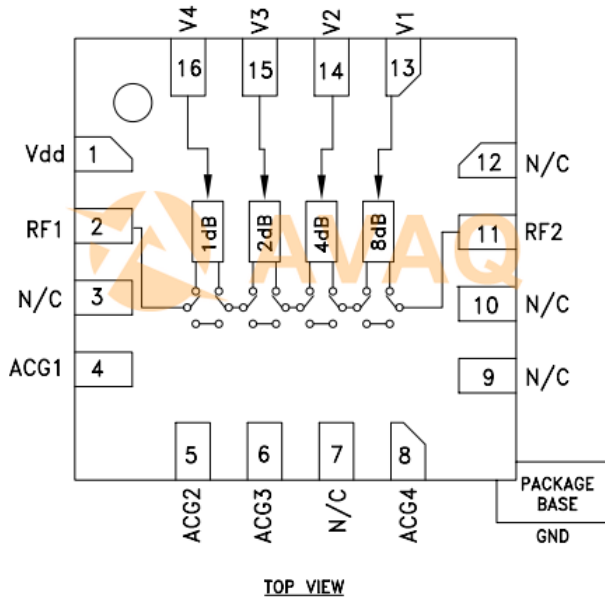
Cellular Infrastructure

ISM, MMDS, WLAN, WiMAX, WiBro

Microwave Radio & VSAT

Test Equipment and Sensors

Functional Diagram



Recommended For You

HMC624ALP4E

Analog Devices, Inc
QFN24

HMC952ALP5GE

Analog Devices, Inc
QFN

HMC361S8GE

Analog Devices, Inc
SOP-8

HMC253AQS24E

Analog Devices, Inc
QFN

HMC346MS8G

Analog Devices, Inc
MSOP8

HMC1119LP4ME

Analog Devices, Inc
QFN

HMC659LC5

Analog Devices, Inc
QFN

HMC909LP4E

Analog Devices, Inc
QFN

HMC564LC4

Analog Devices, Inc
QFN

HMC1021LP4E

Analog Devices, Inc
QFN

HMC241AQS16E

Analog Devices, Inc
SSOP16

HMC424LP3E

Analog Devices, Inc
QFN

HMC662LP3E

Analog Devices, Inc
QFN

HMC8038LP4CE

Analog Devices, Inc
QFN16

HMC363S8G

Analog Devices, Inc
SOP8