

Charge Pump STPUP/STPDN 3.3V/5V 150mA Automotive 8-Pin MSOP Tube

Manufacturer: [Microchip Technology, Inc](http://www.microchip.com)

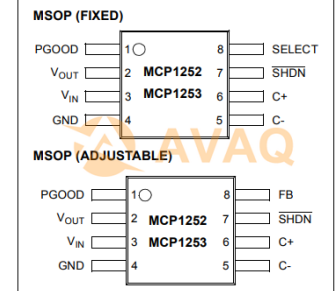
Package/Case: MSOP8

Product Type: Power Management ICs

RoHS: RoHS Compliant/Lead free 

Lifecycle: Active

Package Types



Images are for reference only

[Inquiry](#)

General Description

The MCP1253-33X50 and MCP1253-ADJ are inductorless, positive regulating, low noise charge pump DC-to-DC converters. The MCP1253-33X50 has selectable outputs of either 3.3 or 5.0 V, while the MCP1253-ADJ has an adjustable output between 1.5 and 5.5 V. Both can deliver 120 mA of load current at the selected regulated output voltage. Since the device incorporates an automatic buck/boost feature, it will maintain the regulated output voltage whether the input voltage is above or below the output voltage. These charge pumps operate at a switching frequency of 1 MHz (reducing capacitor sizes), and feature power saving shutdown pins, short circuit protection, thermal shutdown, and power-good pins that report out-of-regulation conditions.

Key Features

Wide 2.1 to 5.0V input range

Fixed, regulated 3.3 V, 5.0 V, or adjustable (1.5 to 5.5 V) outputs

Supplies regulated output voltages for up to 120 mA loads

Low 60 μ A supply current in no load conditions

High 2.5% voltage accuracy (on fixed voltage outputs)

High 1 MHz operation to avoid interference with IF bands and allows for small capacitor use to save board space and cost

Logic level shutdown control reduces current consumption to 0.1 μ A during standby operation

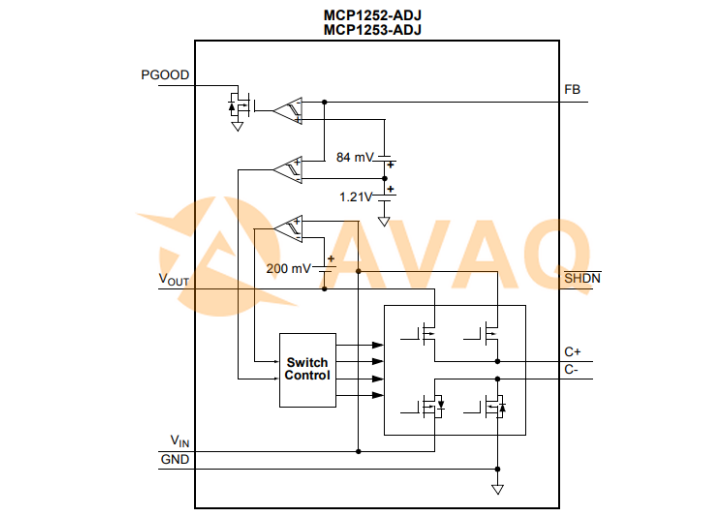
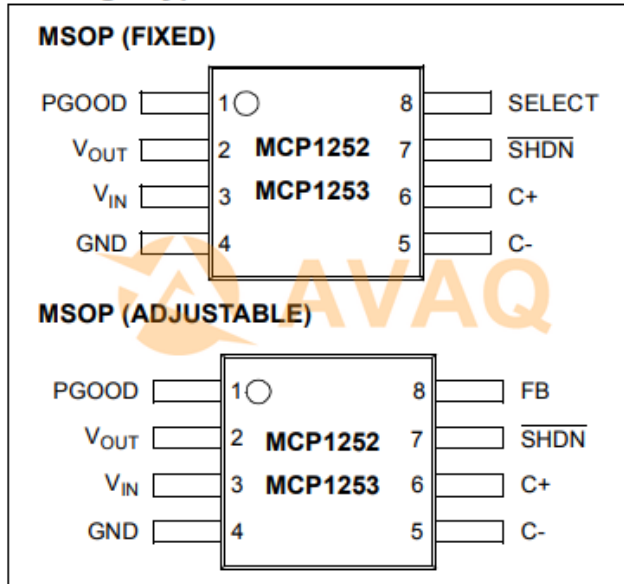
Power-good output indicator with hysteresis

Thermal shutdown protection with hysteresis

Short circuit protection

Soft-start circuitry to minimize inrush current

Package Types



Recommended For You

MCP1416T-E/OT

Microchip Technology, Inc
SOT23-5

MCP1825S-1802E/DB

Microchip Technology, Inc
SOT-223

MCP1525T-I/TT

Microchip Technology, Inc
SOT23-3

MCP73831T-2ACI/OT

Microchip Technology, Inc
SOT23-5

MCP1700-3302E/TO

Microchip Technology, Inc
TO-92

MCP73832T-2ATI/OT

Microchip Technology, Inc
SOT23-5

MCP120-450DI/TO

Microchip Technology, Inc
TO-92

MCP1525-I/TO

Microchip Technology, Inc
TO92

MCP1541T-I/TT

Microchip Technology, Inc
SOT23-3

MCP73831T-2DCI/OT

Microchip Technology, Inc
SOT23-5

MCP16311T-E/MS

Microchip Technology, Inc
MSOP8

MCP16331T-E/CH

Microchip Technology, Inc
SOT23-6

MCP1754ST-5002E/CB

Microchip Technology, Inc
SOT-23

MCP1754ST-3302E/CB

Microchip Technology, Inc
SOT-23

MCP102T-315E/TT

Microchip Technology, Inc
SOT23