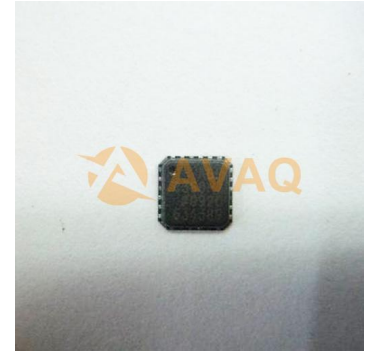


Clock Generator 10MHz to 250MHz-IN 1800MHz-OUT 24-Pin LFCSP EP Tray



Images are for reference only

[Inquiry](#)

Manufacturer: [Analog Devices, Inc](#)

Package/Case: LFCSP24

Product Type: Clock & Timer ICs

RoHS: RoHS Compliant/Lead free 

Lifecycle: Active

General Description

The ADF4360-7 is an integrated integer-N synthesizer and voltage controlled oscillator (VCO). The ADF4360-7 center frequency is set by external inductors. This allows a frequency range of between 350 MHz to 1800 MHz. In addition, a divide-by-2 option is available, whereby the user receives an RF output of between 175 MHz and 900 MHz.

Control of all the on-chip registers is through a simple 3-wire interface. The device operates with a power supply ranging from 3.0 V to 3.6 V and can be powered down when not in use.

Key Features

350 to 1800MHz Output frequency range

Divide-by-2 output

1.8V Logic compatibility

Integer-N synthesizer

Programmable dual-modulus prescaler 8/9, 16/17

Programmable output power level

3-wire serial interface

Analogue and digital lock detect

Hardware and software power-down mode

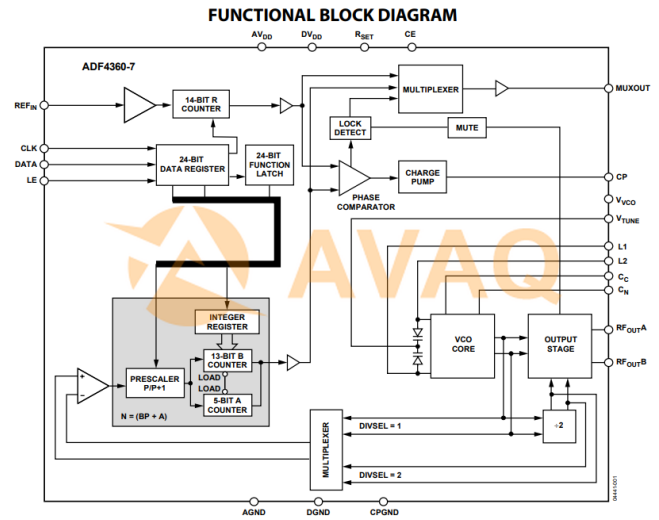
Application

Wireless handsets (DECT, GSM, PCS, DCS, WCDMA)

Test equipment

Wireless LANs

CATV equipment



Recommended For You

ADF4153BCPZ

Analog Devices, Inc

QFN

ADF5355BCPZ

Analog Devices, Inc

LFCSP32

AD8318ACPZ

Analog Devices, Inc

LFCSP

AD6620ASZ

Analog Devices, Inc

QFP

ADF4107BCPZ

Analog Devices, Inc

QFN

ADL5513ACPZ-R7

Analog Devices, Inc

LFCSP-16

AD8319ACPZ

Analog Devices, Inc

LFCSP

ADRF6755ACPZ

Analog Devices, Inc

QFN

ADL5535ARKZ-R7

Analog Devices, Inc

SOT89

AD608AR

Analog Devices, Inc

SOP16

ADF4107BRUZ-REEL7

Analog Devices, Inc

TSSOP16

ADRF6780ACPZN

Analog Devices, Inc

QFN

AD8317ACPZ

Analog Devices, Inc

LFCSP

AD608ARZ

Analog Devices, Inc

SOP16

AD8318ACPZ-REEL7

Analog Devices, Inc

LFCSP