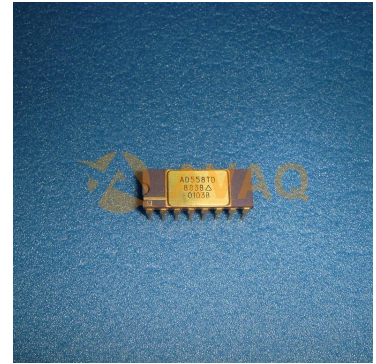


DAC 1-CH R-2R/Current Steering 8-bit 16-Pin SBCDIP Tube

Manufacturer:	Analog Devices, Inc
Package/Case:	DIP16
Product Type:	Data Conversion ICs
Lifecycle:	NRND



Images are for reference only

[Inquiry](#)

General Description

Avaq Semiconductor offers the highly versatile and reliable AD558TD driver, produced by Analog Devices, Inc. With its multifunctional and high-performance capabilities, this component is an excellent choice for a wide range of electronic projects.

To ensure that you have all the necessary information to make the most of this component, Avaq provides a free datasheet PDF, as well as circuit diagrams, pin layouts, pin details, pin voltage ratings, and equivalent components for the AD558TD.

Avaq also offers free samples. Simply fill out and submit the sample request form to receive your free samples for testing. If you have any questions, please feel free to contact us at ar

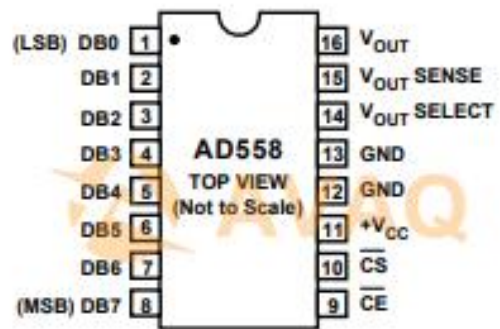
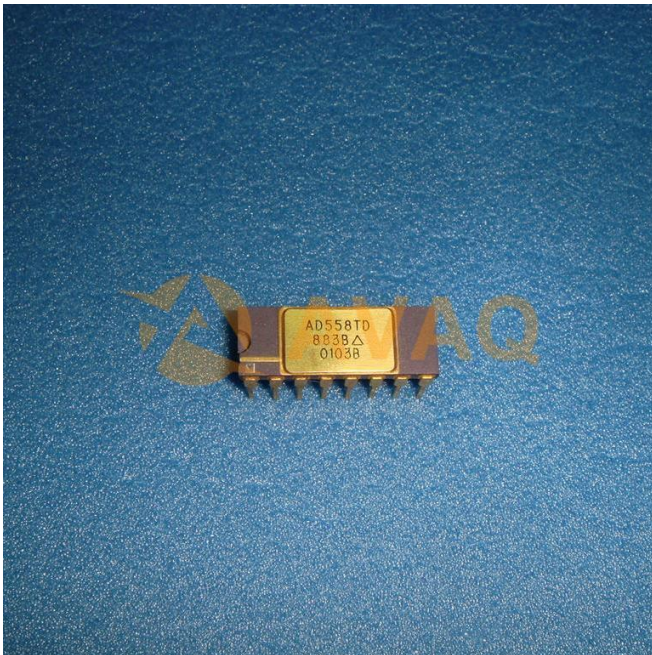


Figure 1a. AD558 Pin Configuration (DIP)

Recommended For You

AD7305BRZ

Analog Devices, Inc

SOP20

AD9910BSVZ

Analog Devices, Inc

TQFP100

AD9831ASTZ

Analog Devices, Inc

QFP

AD5447YRUZ

Analog Devices, Inc
TSSOP

AD5302BRMZ

Analog Devices, Inc
MSOP10

AD5531BRUZ

Analog Devices, Inc
TSSOP16

AD537JH

Analog Devices, Inc
CAN10

AD652AQ

Analog Devices, Inc
DIP

AD654JN

Analog Devices, Inc
DIP8

AD7740YRMZ

Analog Devices, Inc
MSOP8

AD9914BCPZ

Analog Devices, Inc
LFCSP

AD73311ARSZ

Analog Devices, Inc
SSOP20

AD7291BCPZ

Analog Devices, Inc
LFCSP20

AD9954YSVZ

Analog Devices, Inc
QFP

AD2S1205YSTZ

Analog Devices, Inc
LQFP44