
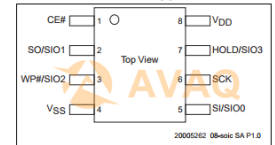


**NOR Flash Serial (SPI, Dual SPI, Quad SPI) 3V/3.3V 16M-bit
16M/8M/4M x 1/2-bit/4-bit 8ns 8-Pin SOIC N Tube**

Manufacturer:	Microchip Technology, Inc
Package/Case:	SOP8
Product Type:	Memory
RoHS:	RoHS Compliant/Lead free 
Lifecycle:	Active



Images are for reference only

Inquiry

General Description

The SST26VF016B Serial Quad I/O (SQI) flash device utilizes a 4-bit multiplexed I/O serial interface to boost performance while maintaining the compact form factor of standard serial flash devices. SST26VF016B also support full command-set compatibility to traditional Serial Peripheral Interface (SPI) protocol. Operating at frequencies reaching 104 MHz, the SST26VF016B enables minimum latency execute-in-place (XIP) capability without the need for code shadowing on an SRAM. The device's high performance and reliability make it the ideal choice for Network Appliance, Smart Home, Wireless Connectivity, Computing, Digital TV, Smart Meter, Datacenter, Automotive and other Industrial applications. Further benefits are achieved with SST's proprietary, high-performance CMOS SuperFlash® technology, which significantly improves performance and reliability, and lowers power consumption for high bandwidth, compact designs.

Key Features

x1/x2/x4 Serial Peripheral Interface (SPI) Protocol and SQI protocol

Burst Modes- Continuous linear burst, 8/16/32/64 Byte linear burst with wrap-around

Page-Program- 256 Bytes per page in x1 or x4 mode

Flexible Erase Capability- Uniform 4 KByte sectors, Four 8 KByte top and bottom parameter overlay blocks, One 32 KByte top and bottom overlay block, Uniform 64 KByte overlay blocks

Software Write Protection- Individual Block-Locking: 64 KByte blocks, two 32 KByte blocks, and eight 8 KByte parameter blocks

Low Power Consumption: Active Read current: 15 mA (typical @ 104 MHz), Standby Current: 15 µA (typical), Deep Power-Down Current: 2.5uA (typical)

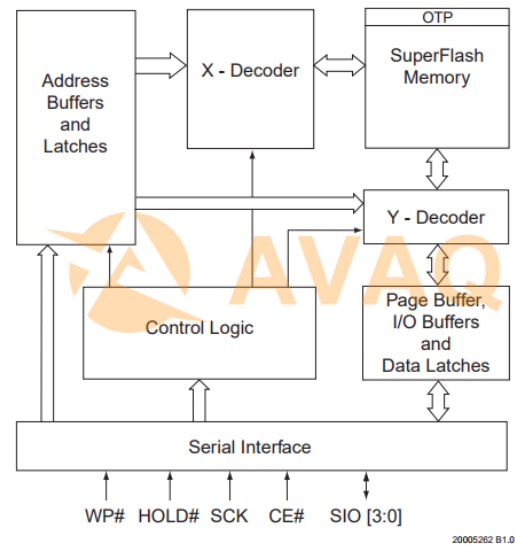
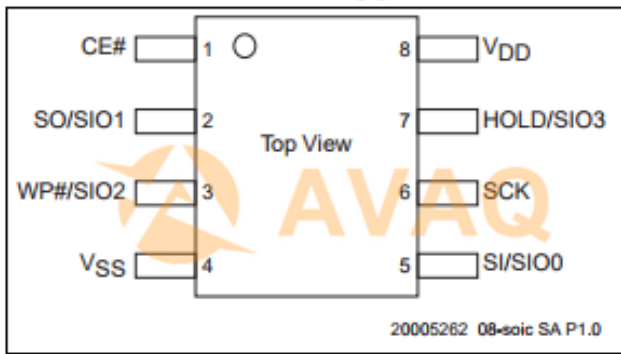
SFDP (Serial Flash Discoverable Parameters)

Packages Available: 8-contact WDFN (6mm x 5mm), 8-lead SOIC, 8-lead SOIJ

All devices are RoHS compliant

Industrial -40C to +85C; Industrial Plus -40C to +105C; Extended -40C to +125C

Automotive AEC-Q100 Qualified



Recommended For You

SST39VF1602-70-4I-EKE

Microchip Technology, Inc
TSOP48

SST25VF080B-50-4C-S2AF

Microchip Technology, Inc
SOP8

AT24C64D-SSHMT

Microchip Technology, Inc
SOP8

AT25256B-SSHL-T

Microchip Technology, Inc
SOP8

AT24C08C-SSHMT

Microchip Technology, Inc
SOP8

AT24C256C-SSHL-T

Microchip Technology, Inc
SOP8

AT24C32D-SSHMT

Microchip Technology, Inc
SOP8

AT24C02C-SSHMT

Microchip Technology, Inc
SOP8

AT24C16C-SSHMT

Microchip Technology, Inc
SOP-8

AT93C56B-SSHMT

Microchip Technology, Inc
SOP8

AT25040B-SSHL-B

Microchip Technology, Inc
SOP-8

AT25128B-SSPDGV-T

Microchip Technology, Inc
SOP8

SST39SF040-70-4C-WHE

Microchip Technology, Inc
TSOP

SST39SF010A-70-4C-NHE

Microchip Technology, Inc
PLCC32

SST26VF016-80-5I-S2AE

Microchip Technology, Inc
SOP8