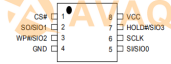


NOR Flash Serial (SPI, Dual SPI, Quad SPI) 3.3V 32M-bit 32M/16M/8M x 1/2-bit/4-bit 8ns 8-Pin SOP

Manufacturer:	Macronix International
Package/Case:	SOP-8
Product Type:	Memory
RoHS:	RoHS Compliant/Lead free
Lifecycle:	NRND

3. PIN CONFIGURATION
8-PIN SOP (150mil)/8-PIN SOP (200mil)



Images are for reference only

Inquiry

General Description

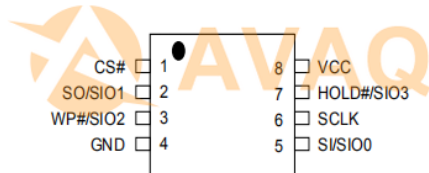
Avaq Semiconductor offers the highly versatile and reliable MX25L3233FM2I-08G driver, produced by Macronix International. With its multifunctional and high-performance capabilities, this component is an excellent choice for a wide range of electronic projects.

To ensure that you have all the necessary information to make the most of this component, Avaq provides a free datasheet PDF, as well as circuit diagrams, pin layouts, pin details, pin voltage ratings, and equivalent components for the MX25L3233FM2I-08G.

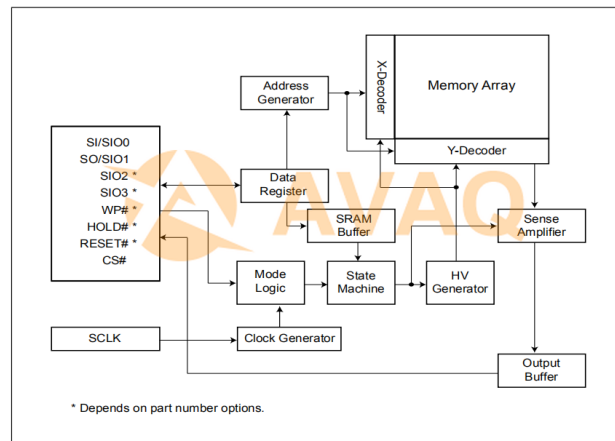
Avaq also offers free samples. Simply fill out and submit the sample request form to receive your free samples for testing. If you have any questions, please feel free to contact us at ar

3. PIN CONFIGURATION

8-PIN SOP (150mil)/8-PIN SOP (200mil)



5. BLOCK DIAGRAM



Recommended For You

MX25V1635FMIH

Macronix International
SOP8

MX25L51245GXDI-08G

Macronix International
BGA24

MX25L6445EMI-10G

Macronix International
SOP16

MX25L51245GMI-08G

Macronix International
SOP16

MX25U25635FZZI-10G

Macronix International
WSO8

MX25L1606EZUI-12G

Macronix International
QFN

MX25L1606EMII-12G

Macronix International

SOP8

MX29F400CBII-70G

Macronix International

TSOP48

MX25L8006EM2I-12G

Macronix International

SOP-8

MX25L1006EMI-10G

Macronix International

SOP-8

MX25R6435FZNL0

Macronix International

WSON8

MX25U3235FM2I-10G

Macronix International

SOP-8

MX25L3233FMI-08G

Macronix International

SOP16

MX25V4006EMII-13G

Macronix International

SOP8

MX25L12835FZ2I-10G

Macronix International

WSON8