

## Op Amp Single High Voltage Amplifier $\pm 40V$ 8-Pin(7+Tab) TO-263 T/R

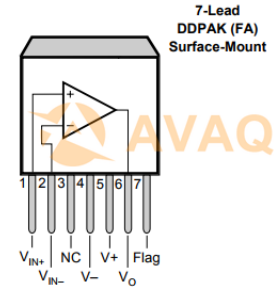
**Manufacturer:** [Texas Instruments, Inc](#)

**Package/Case:** TO263-7

**Product Type:** Amplifier ICs

**RoHS:** RoHS Compliant/Lead free 

**Lifecycle:** Active



Images are for reference only

[Inquiry](#)

### General Description

#### Key Features

Fully protected - Thermal shutdown and output current-limited

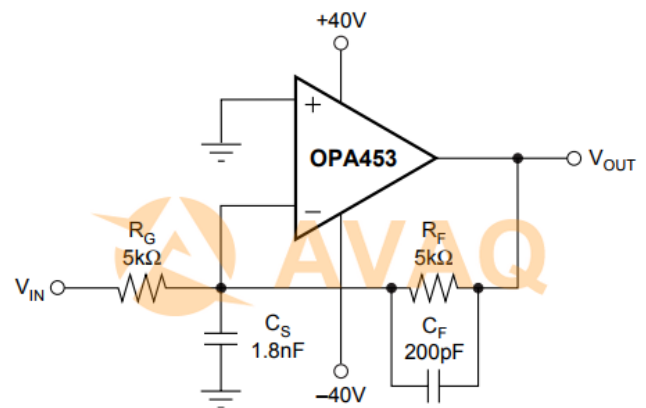
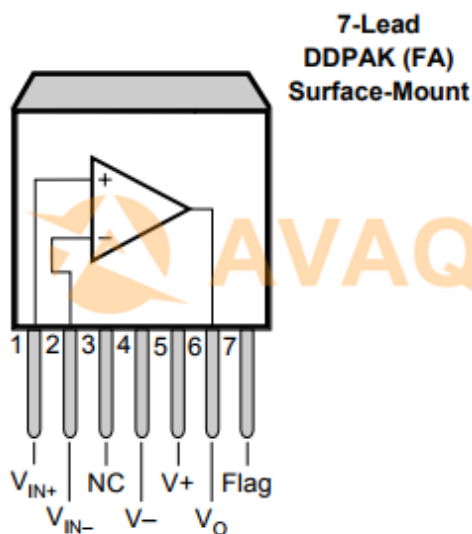
50mA Continuous high output load drive

1V to rail Wide output voltage swing

5 $\mu V/^\circ C$  Typical offset drift

94dB Typical CMRR

Green product and no Sb/Br



$$NG_1 = 1 + R_F/R_G = 2$$

$$NG_2 = 1 + C_S/C_F = 10$$

### Recommended For You

---

**OPA445BM**

Texas Instruments, Inc  
CAN

**OPA1611AIDR**

Texas Instruments, Inc  
SOP8

**OPA388QDBVRQ1**

Texas Instruments, Inc  
SOT23-5

**OPA2365AQDRQ1**

Texas Instruments, Inc  
SOP8

**OPA334AIDBVR**

Texas Instruments, Inc  
SOT23-6

**OPA2835IDGSR**

Texas Instruments, Inc  
MSOP10

**OPA656U**

Texas Instruments, Inc  
SOP8

**OPA360AIDCKR**

Texas Instruments, Inc  
SC70-6

**LMI11H/NOPB**

Texas Instruments, Inc  
CAN8

**OPA353UA**

Texas Instruments, Inc  
SOP8

**LMI3700MX/NOPB**

Texas Instruments, Inc  
SOP16

**OPA633KP**

Texas Instruments, Inc  
DIP8

**OPA4251UA**

Texas Instruments, Inc  
SOP14

**LMV321MX/NOPB**

Texas Instruments, Inc  
SOT23-5

**OPA637AU**

Texas Instruments, Inc  
SOP-8