
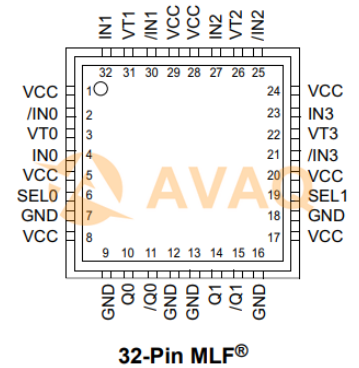


Clock Multiplexer 2-OUT 4-IN 1:2 32-Pin QFN EP Tube

Manufacturer:	Microchip Technology, Inc
Package/Case:	QFN-32
Product Type:	Drivers
RoHS:	RoHS Compliant/Lead free 
Lifecycle:	Active



Images are for reference only

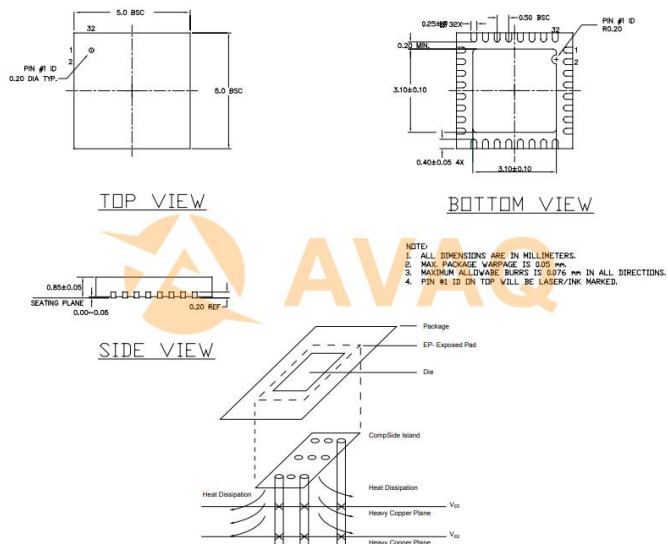
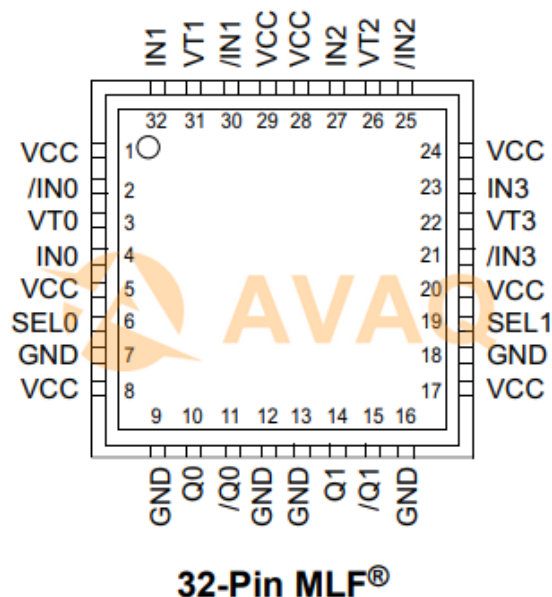
[Inquiry](#)

General Description

The SY89547L is a precision, high-speed 4:1 differential multiplexer that provides two copies of the selected input. The high speed LVDS (350mV) compatible outputs with a guaranteed throughput of up to 3.2Gbps over temperature and voltage. The SY89547L differential inputs include Micrel's unique, 3-pin internal termination design that allows access to the termination network through a VT pin. This feature allows the device to easily interface to different logic standards, both AC- and DC-coupled without external resistor-bias and termination networks. The result is a clean, stub-free, low jitter interface solution. The SY89547L operates from a single 3.3V supply, and is guaranteed over the full industrial temperature range (-40°C to +85°C). For applications that require a 2.5V supply, consider the SY89546U. For applications that only require one differential output, consider the SY89544U or SY89545L. The SY89547L is part of a Micrel's Precision Edge® product family.

Key Features

- Selects among four differential inputs
- Provides two copies of the selected input
- Guaranteed AC performance over temp and voltage:
- DC-to >3.2Gbps data rate throughput
- Unique input isolation design minimizes crosstalk
- Ultra-low jitter design:
- Internal input termination
- Unique input termination and VTpin accepts DCcoupled and AC-coupled inputs (LVDS, LVPECL, CML)
- 350mV LVDS output swing
- Power supply 3.3V ±10%
- Available in 32-pin (5mm x 5mm) MLF® package



Recommended For You

SY58017UMG

Microchip Technology, Inc

QFN

SY55855VKG

Microchip Technology, Inc

MSOP10

SY58606UMG

Microchip Technology, Inc

MLF-16

SY58608UMG

Microchip Technology, Inc

QFN16

SY100EL16VZG

Microchip Technology, Inc

SOP8

SY100EP15VK4G

Microchip Technology, Inc

TSSOP-16

SY100ELT22ZG

Microchip Technology, Inc

SOP8

SY58020UMG

Microchip Technology, Inc

QFN

SY100ELT22LZG

Microchip Technology, Inc

SOP-8

SY58604UMG-TR

Microchip Technology, Inc

VDFN-8

SY89854UMG

Microchip Technology, Inc

QFN

SY58012UMG

Microchip Technology, Inc

QFN

SY89473UMG

Microchip Technology, Inc

QFN-24

SY100ELT22LZG-TR

Microchip Technology, Inc

SOP8

SY58011UMG

Microchip Technology, Inc

QFN