

1-Channel Single ADC Dual Slope 3 1/2Digit LED 40-Pin PDIP Tube

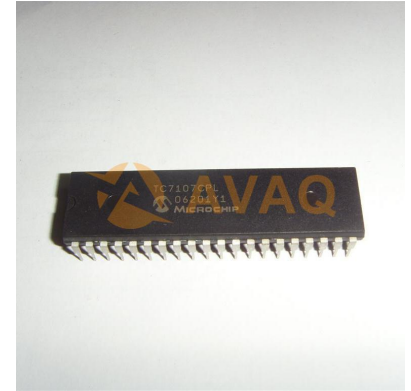
Manufacturer: [Microchip Technology, Inc](#)

Package/Case: DIP-40

Product Type: Data Conversion ICs

RoHS: RoHS Compliant/Lead free 

Lifecycle: Active



Images are for reference only

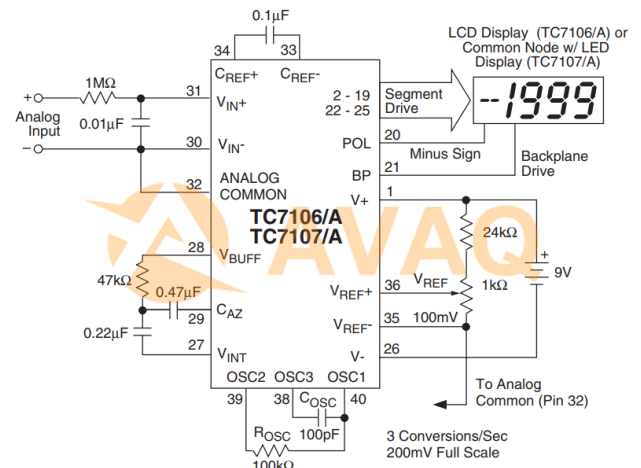
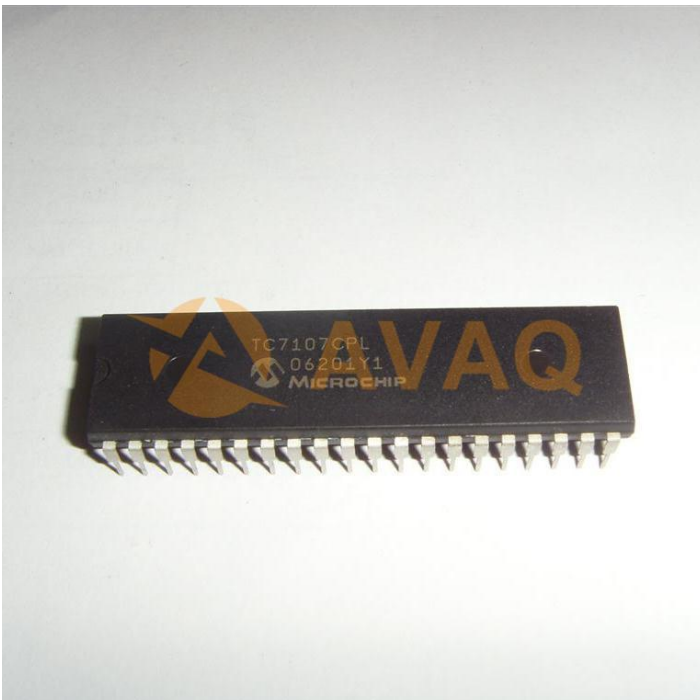
[Inquiry](#)

General Description

The TC7107 3½ digit LED direct-display drive analog-to-digital converter has a reference with an 80ppm/°C max temperature coefficient. TC7107 based systems may be upgraded without changing external passive component values to the TC7107A for a more precise system. The TC7107 drives common anode light emitting diode (LED) displays directly with 8mA per segment. A low-cost, high-resolution indicating meter requires only a display, four resistors, and four capacitors. High impedance differential inputs offer 1pA leakage current and a 1012 Ohm input impedance. The differential reference input allows ratiometric measurements for ohms or bridge transducer measurements. The 15µVp-p noise performance guarantees a great reading. The auto-zero cycle guarantees a zero display reading with a zero-volts input.

Key Features

80ppm/°C Typical



Recommended For You

TC7129CKW

Microchip Technology, Inc
MQFP-44

TC7107CKW

Microchip Technology, Inc
QFP

TC7107ACPL

Microchip Technology, Inc
DIP40

TC7117CPL

Microchip Technology, Inc
DIP40

TC7116CPL

Microchip Technology, Inc
DIP

TC7106CPL

Microchip Technology, Inc
DIP

TC7126CPL

Microchip Technology, Inc
DIP

TC7117CKW

Microchip Technology, Inc
QFP44

TC7107IPL

Microchip Technology, Inc
PDIP-40

TC14433COG

Microchip Technology, Inc
SOP-24

TC14433ELI

Microchip Technology, Inc
PLCC-28

TC14433AELI

Microchip Technology, Inc
PLCC-28

T0816M-TCQG

Microchip Technology, Inc
SSOP16

TC7117ACPL

Microchip Technology, Inc
DIP

MM5450YV

Microchip Technology, Inc
PLCC44