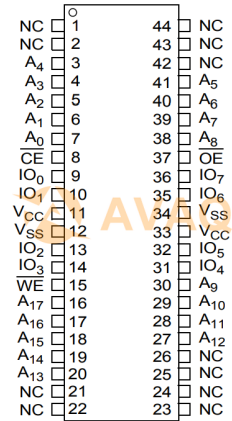


**SRAM Chip Async Single 3.3V 2M-bit 256K x 8 10ns 44-Pin TSOP-II Tray**

<b>Manufacturer:</b>	Infineon Technologies Corporation
<b>Package/Case:</b>	SOP-44
<b>Product Type:</b>	Memory
<b>RoHS:</b>	RoHS Compliant/Lead free
<b>Lifecycle:</b>	Active



Images are for reference only

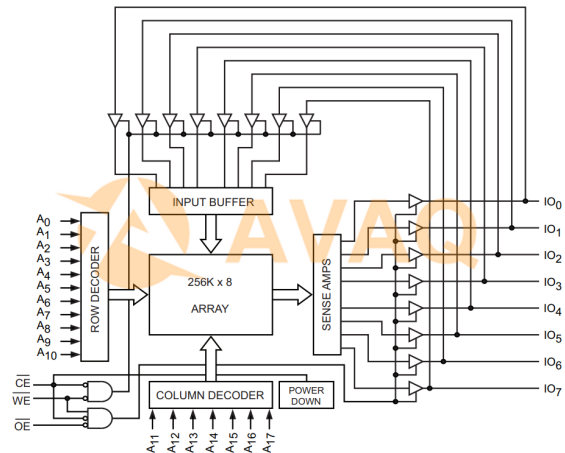
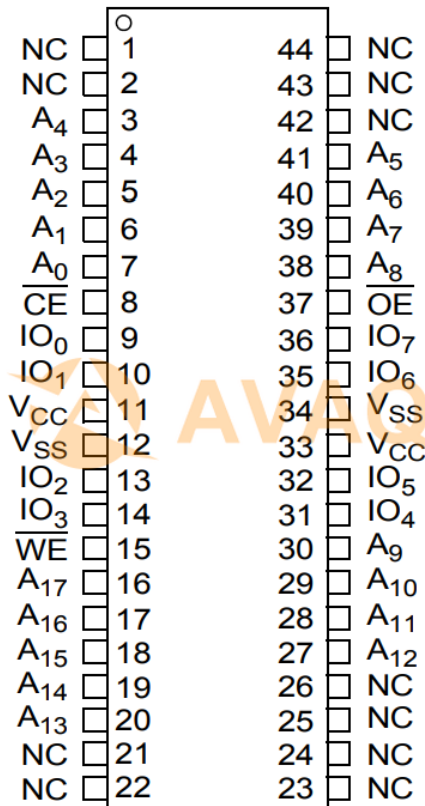
Inquiry

**General Description**

Avaq Semiconductor offers the highly versatile and reliable CY7C1010DV33-10ZSXI driver, produced by Infineon Technologies Corporation. With its multifunctional and high-performance capabilities, this component is an excellent choice for a wide range of electronic projects.

To ensure that you have all the necessary information to make the most of this component, Avaq provides a free datasheet PDF, as well as circuit diagrams, pin layouts, pin details, pin voltage ratings, and equivalent components for the CY7C1010DV33-10ZSXI.

Avaq also offers free samples. Simply fill out and submit the sample request form to receive your free samples for testing. If you have any questions, please feel free to contact us at ar



## Recommended For You

---

### **CY62167ELL-45ZXI**

Infineon Technologies Corporation  
TSOP48

### **CY15B104Q-SXI**

Infineon Technologies Corporation  
SOP8

### **CY15B102Q-SXE**

Infineon Technologies Corporation  
SOP8

### **CY7C1009D-10VXI**

Infineon Technologies Corporation  
SOJ-32

### **CY7C1069G30-10ZSXI**

Infineon Technologies Corporation  
TSOP-54

### **CY7C1350G-133AXC**

Infineon Technologies Corporation  
QFP100

### **CY7C1480V33-167AXC**

Infineon Technologies Corporation  
TQFP100

### **CY7C1325B-117AC**

Infineon Technologies Corporation  
QFP-100L

### **CY14B108L-ZS45XI**

Infineon Technologies Corporation  
TSOP44

### **CY62146EV30LL-45ZSXIT**

Infineon Technologies Corporation  
TSSOP44

### **CY62146ELL-45ZSXI**

Infineon Technologies Corporation  
TSSOP-44

### **CY62167EV18LL-55BVXI**

Infineon Technologies Corporation  
BGA

### **CY7C1019DV33-10VXI**

Infineon Technologies Corporation  
SOJ32

### **CY7C1021DV33-10VXI**

Infineon Technologies Corporation  
SOJ44

### **CY7C1470V33-167AXI**

Infineon Technologies Corporation  
TQFP100